



ASSEMBLY INSTRUCTION

ITEM NO.: 9566DG-4

OTTOMAN



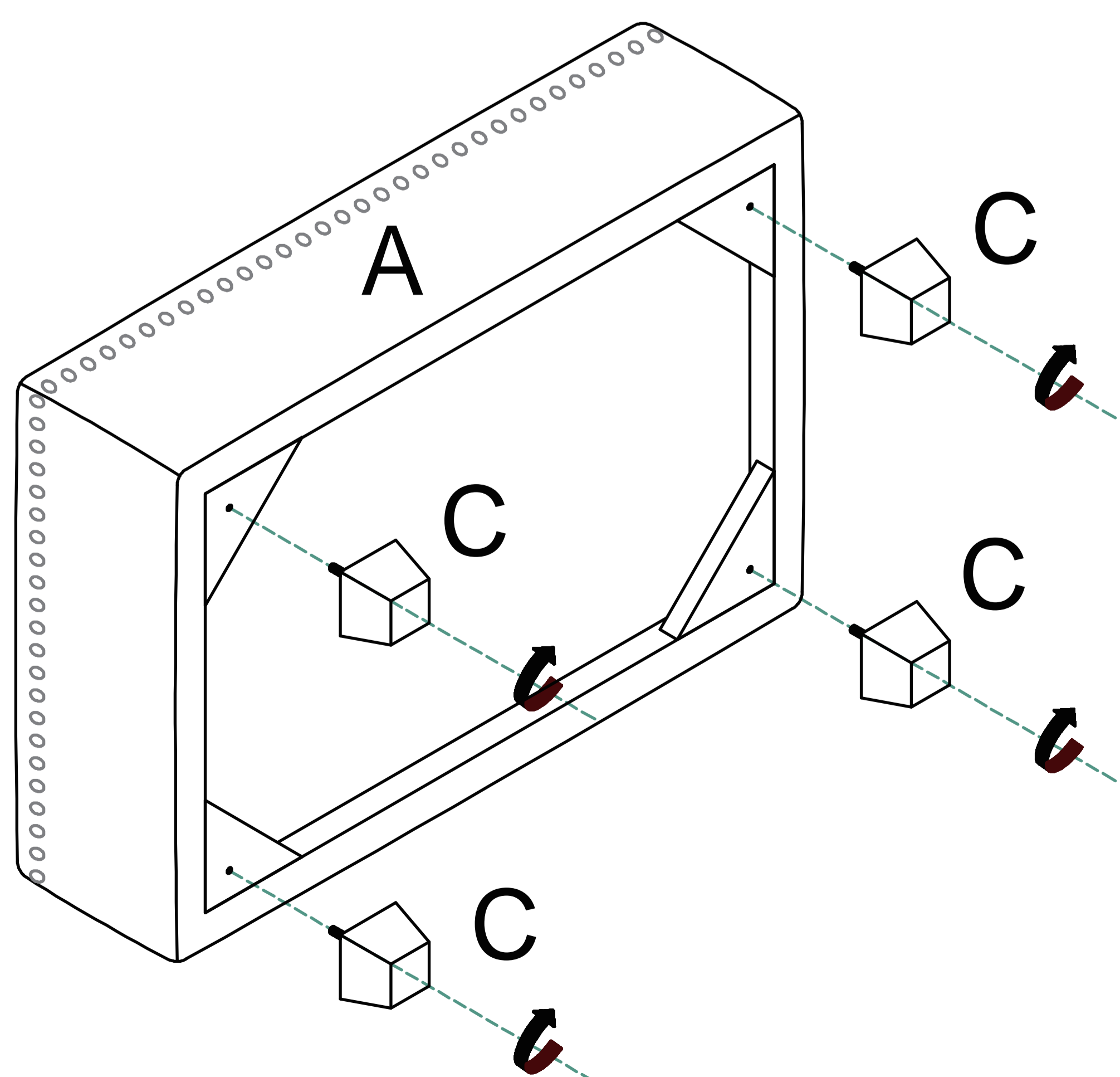
Legs are stored in the bottom of the ottoman, please take out the legs for assembly.

NOTE: Do not use power tools for assembly. Power tools increase the risk of over tightening which lead to splitting or cracking the wood

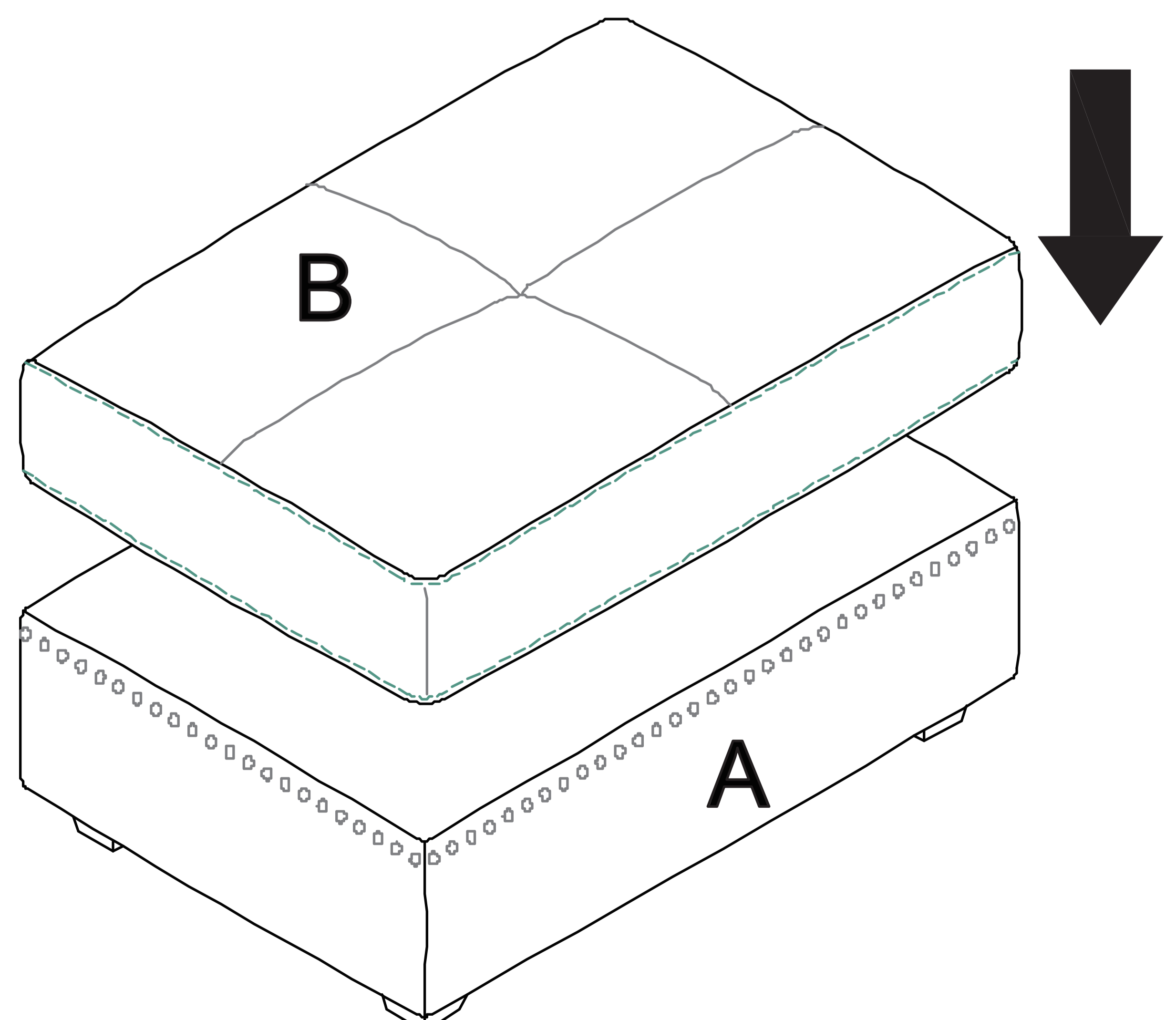
Component list

NO.	DRAWING	QTY	DESCRIPTION
A		1	OTTOMAN BASE
B		1	SEAT CUSHION
C		4	PLASTIC LEG

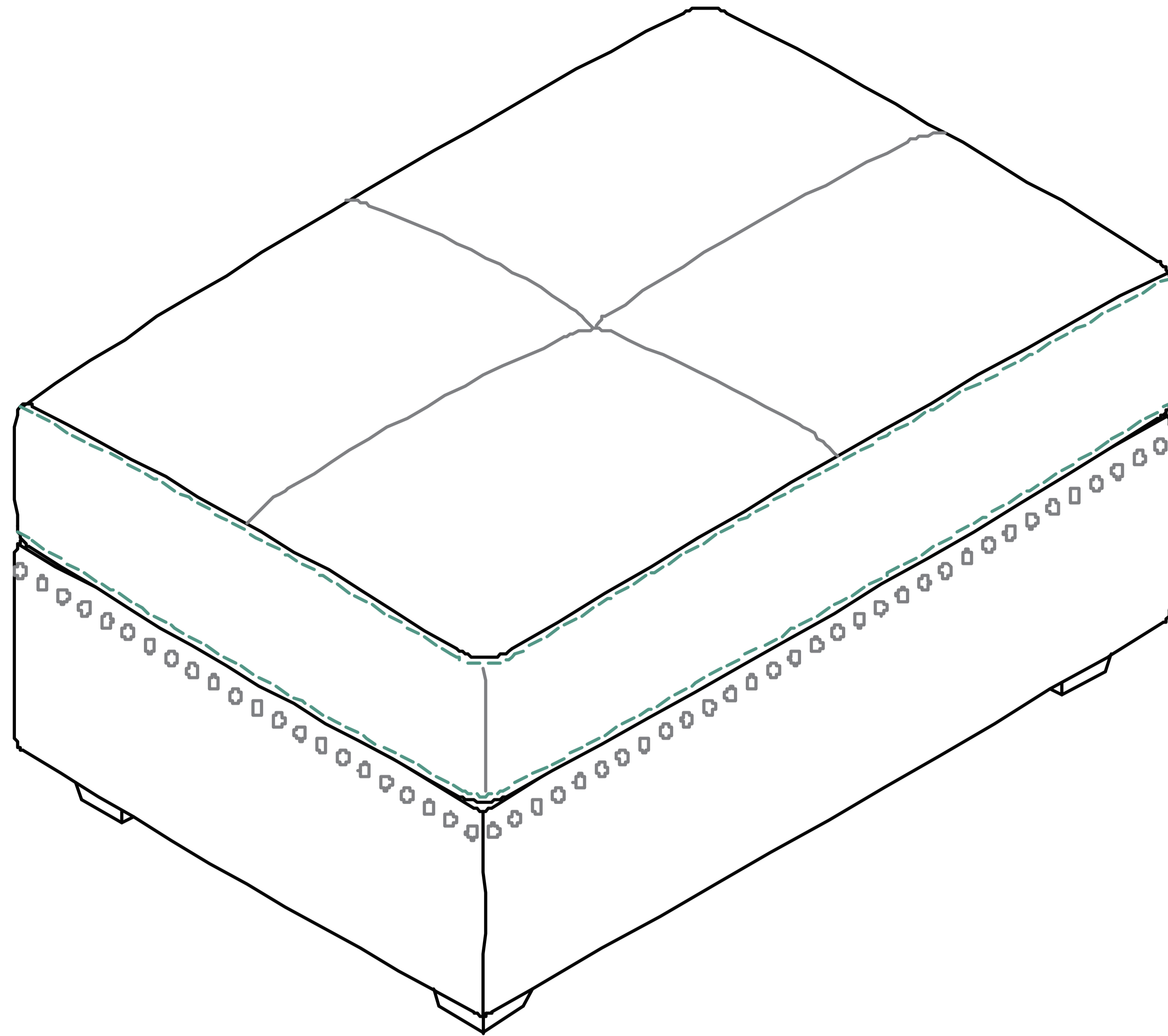
STEP #1



STEP #2



STEP #3



Care instruction for 100% polyester.

In order to maintain the original appearance of your furniture, please follow below simple care procedures:

Avoid exposing furniture directly to sunlight or heating and air conditioning outlet. Sunlight and/or exposure to heating and air conditioning outlets will fade/damage fabric.

Vacuum or wipe with a soft cloth to remove dust.

Clean fabric with professional cleaner



For item used on wooden floor, hard surfaces or carpets it is recommended to install protective pads under all legs and supports to avoid/prevent from damages/scratches and discoloration.