
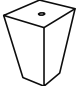


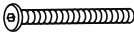

ASSEMBLING INSTRUCTIONS

ITEM: 9460BE-1/9460AQ-1/9460DG-1 CHAIR

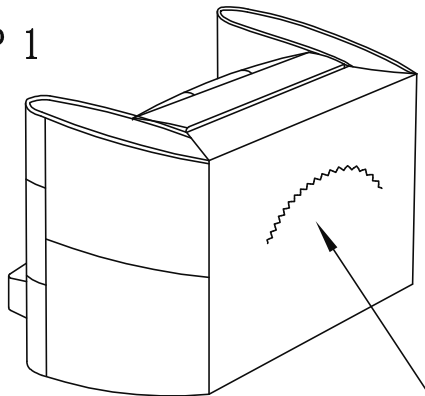


It is recommended to install protective pads under all legs and supports to avoid damage or scratches when placing furniture on a wood floor or other hard surface, and to limit indentation and prevent discoloration if placing on carpet. LEGS AND HARDWARE ARE STORED IN THE BOTTOM OF THE SEAT, PLEASE TAKE OUT FOR ASSEMBLY.

NO.	PARTS LIST	QTY	DESCRIPTION
A		1	CHAIR
B		4	WOODEN LEG

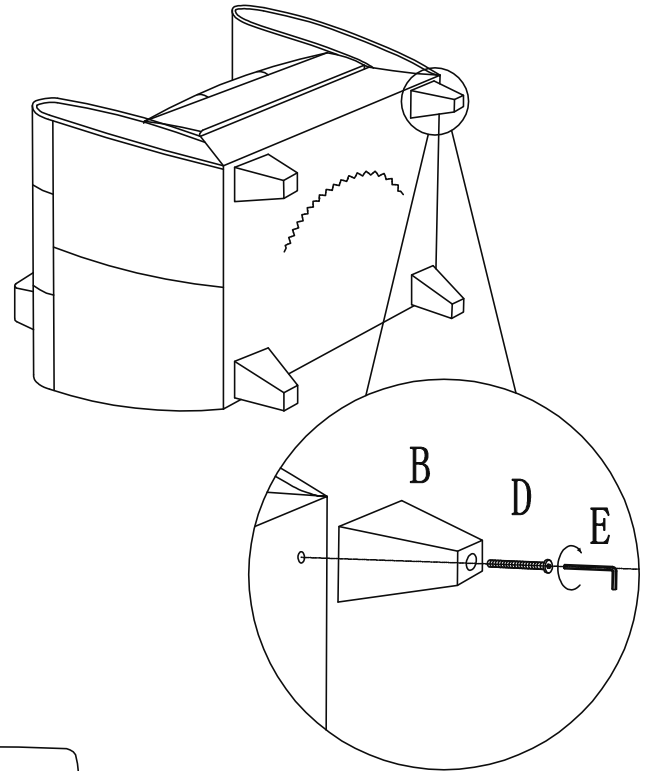
NO.	HARDWARE LIST	QTY	DESCRIPTION
D	 M8*90MM	4	BOLT
E	 M5*100*38MM	1	Allen Key

STEP 1

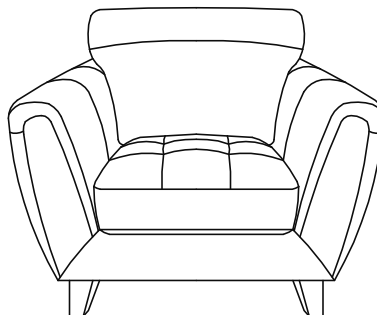


Unzip and take out legs for assembly.

STEP 2



STEP 3



CARE INTRUCTION FOR TOP LEATHER WITH PU FURNITURE

In order to maintain the original appearance of your furniture, please follow below care procedures.

°Avoid exposing furniture directly to sunlight or heating and air conditioning outlets. Sunlight and / or exposure to heading and air conditioning outlets will fade/damage top leather with PU. Do not place your upholstered furniture too close to windows, radiators, r vents and be sure to use window treatments to block the sun's rays.

°Wipe with a soft brush to remove dust.