



Assembly Instruction

POWER RECLINING LOVESEAT WITH CONSOLE

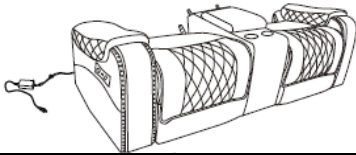






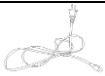
ITEM NO.: 9405BR-2PW



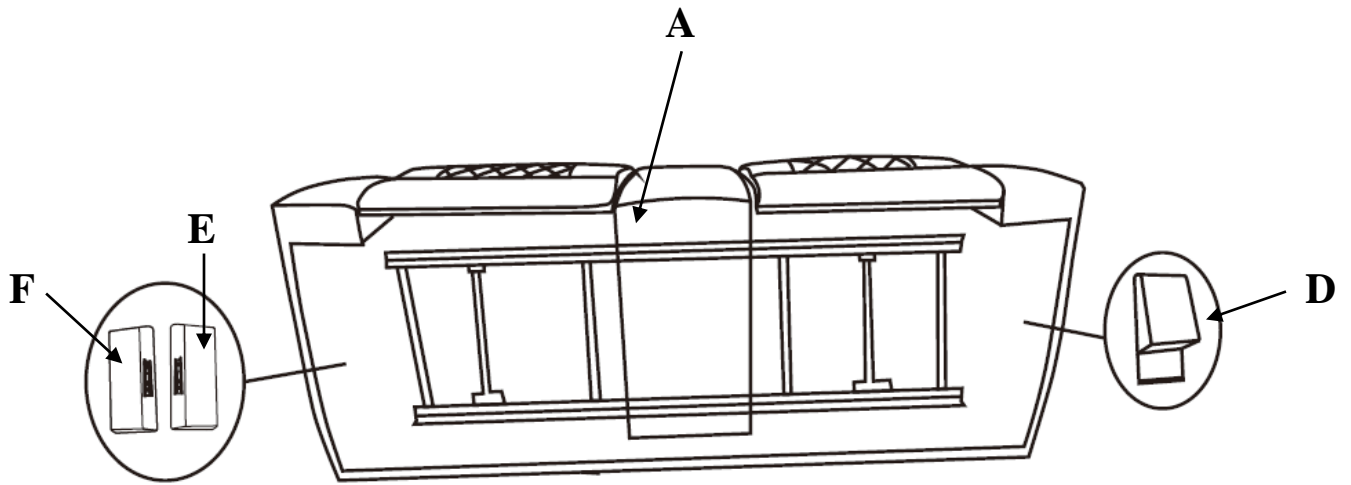
The parts stored in the bottom of the love seat, please take out for assembly

NOTE: Do not use power tools for assembly. Power tools increase the risk of over tightening which leads to splitting or cracking the wood.

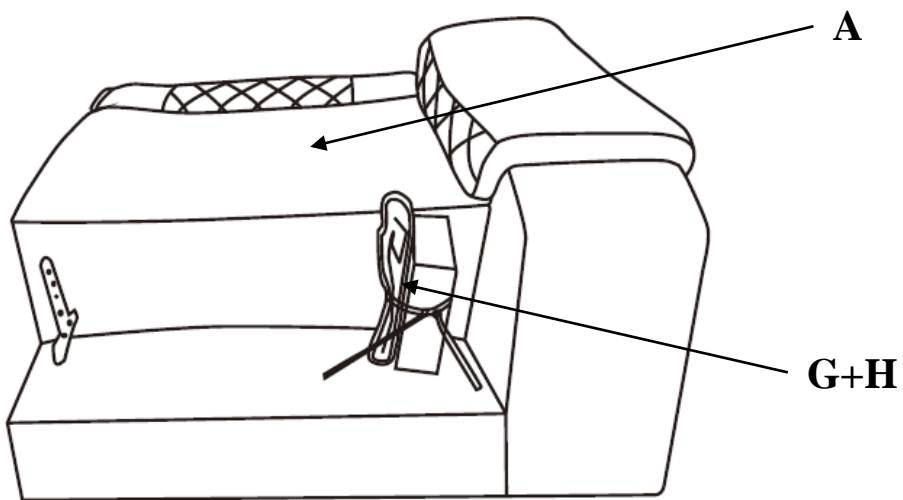
COMPONENT LIST

NO.	DRAWING	QTY	DESCRIPTION
A		1	SEAT
B		1	LEFT BACK REST
C		1	RIGHT BACK REST
D		1	CONSOLE BACKREST
E		1	RIGHT EAR
F		1	LEFT EAR
G		1	ADAPTOR
H		1	PLUG WITH WIRE

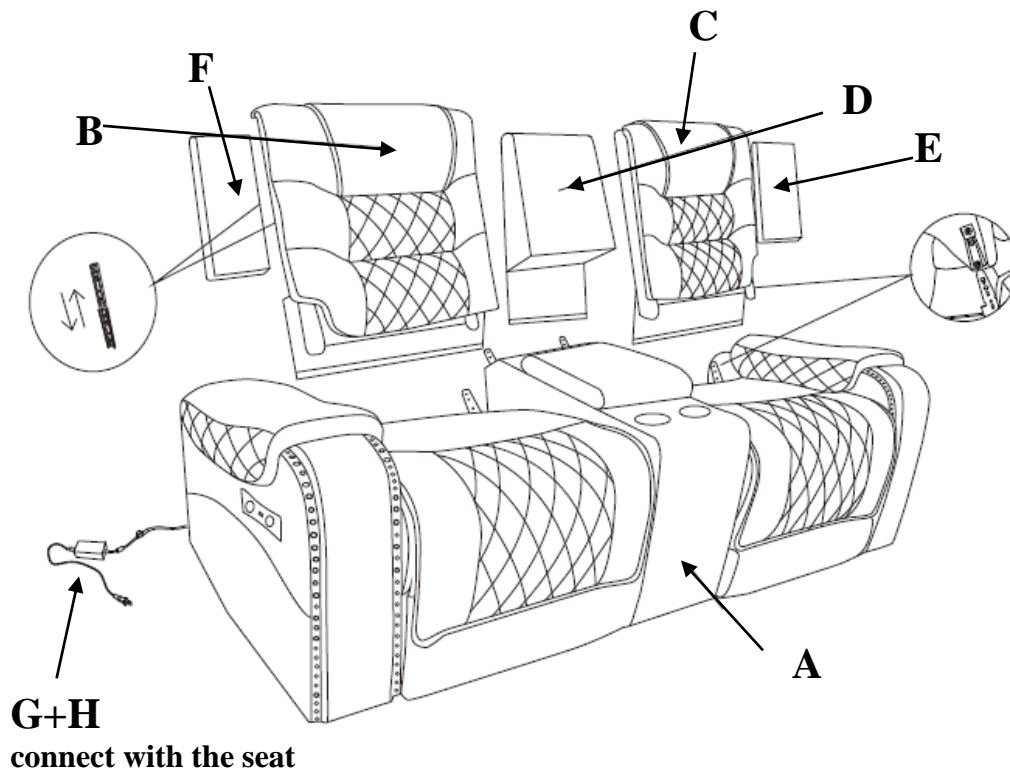
STEP# 1



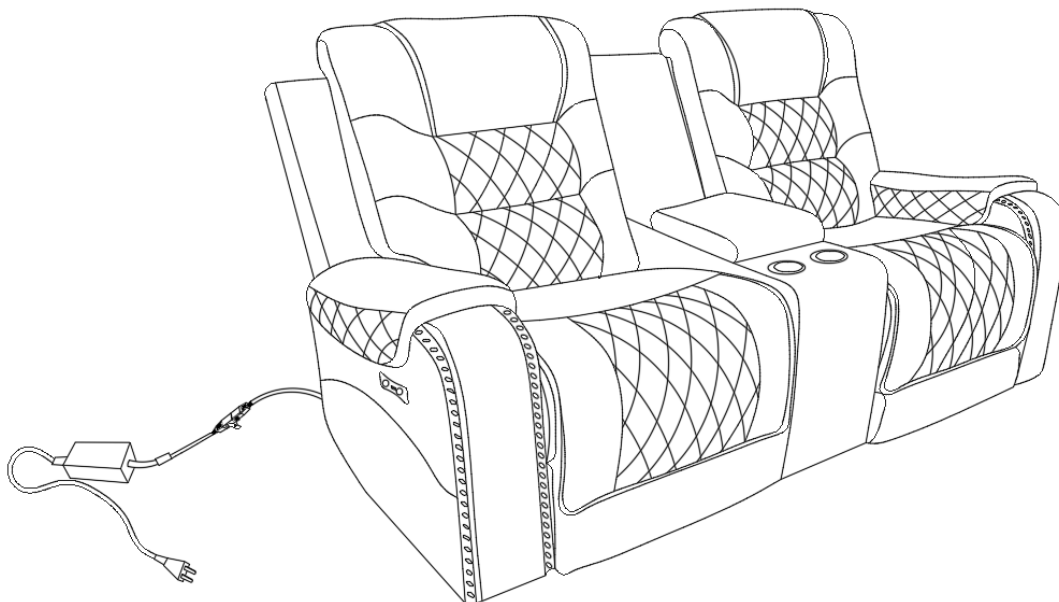
STEP# 2



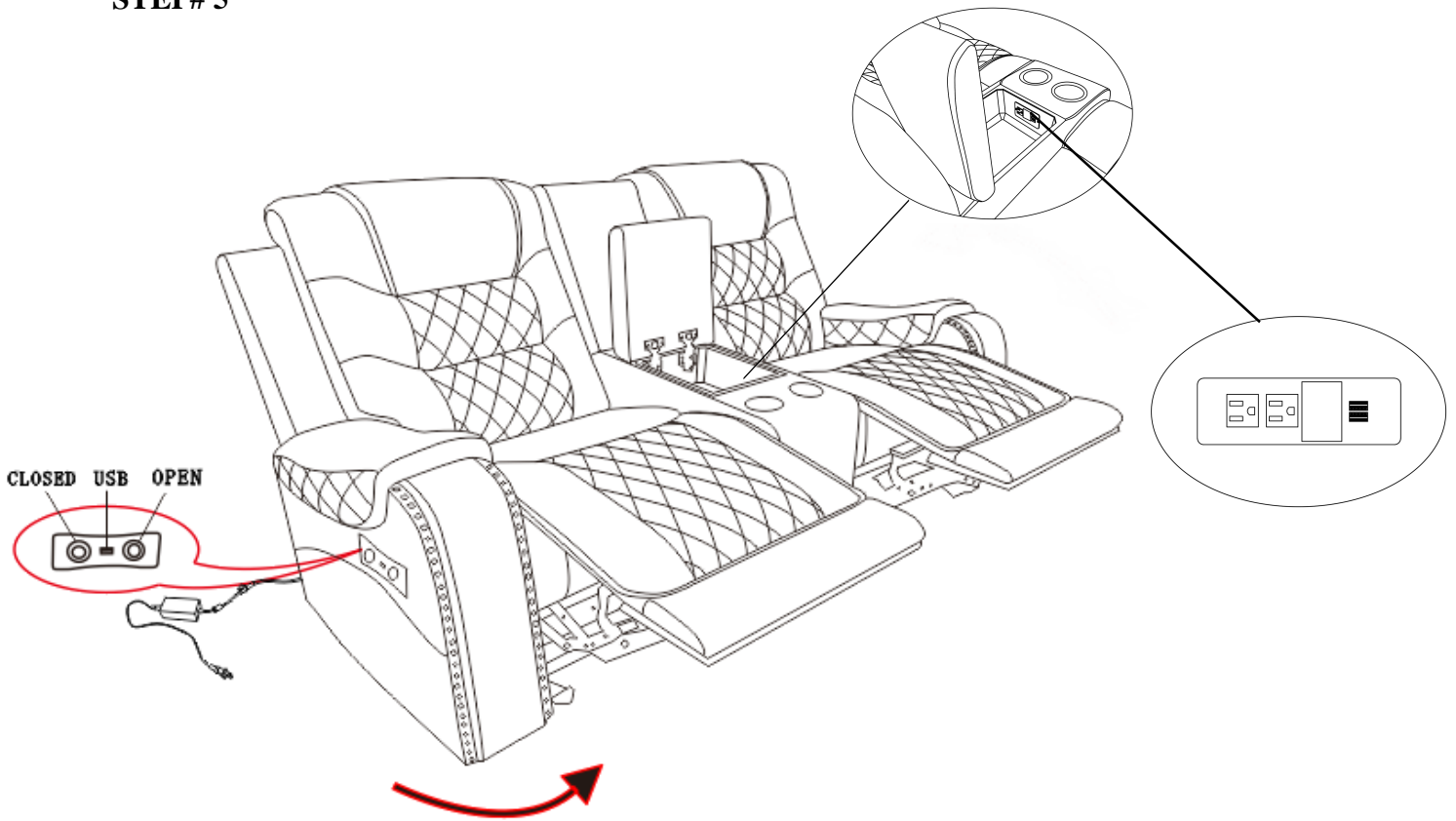
STEP# 3



STEP# 4




STEP# 5



Care Instruction for Polished Microfiber Furniture.

In order to maintain the original appearance of your polished microfiber furniture, please follow below simple care procedures:

- Avoid exposing furniture directly to sunlight or heating and air conditioning outlets. Sunlight and/or exposure to heating and air conditioning outlets will fade/damage polished microfiber
- Vacuum or wipe with a soft cloth to remove dust.

 For items use on wooden floor, hard surfaces or carpets, it is recommended to Install protective pads under all legs and supports to avoid/prevent from damages/scratches and discoloration.

Warning

Do not allow electrical cord to be pinched between moving parts or between the frame and the floor. Do not place cord under carpet or in location where it could become worn.