


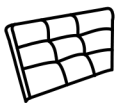
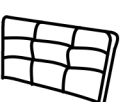
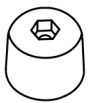

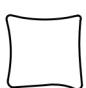




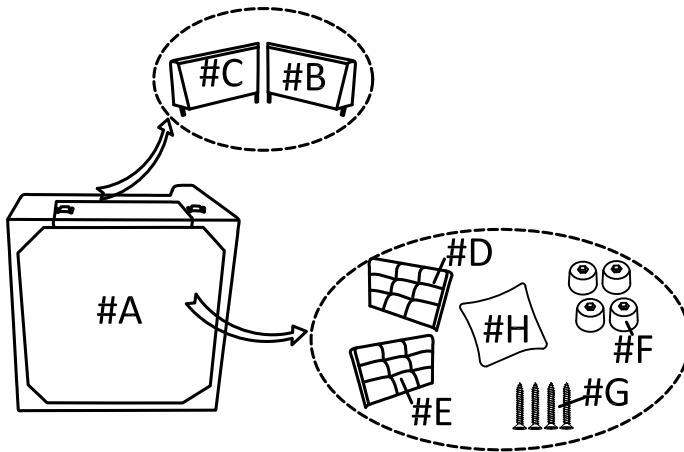
LEGS & PARTS ARE STORED IN THE CORNER PLEASE TAKE OUT FOR ASSEMBLY.

Note: Do not use power tools for assembly. Power tools increase the risk of over tightening which lead to splitting or cracking the wood.

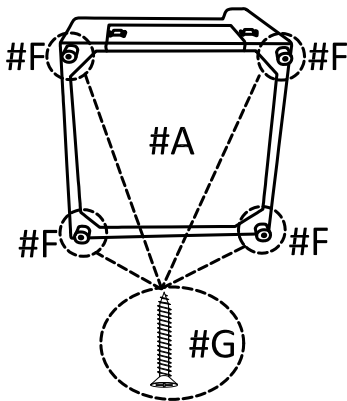
## Component list

No	Drawing	Qty	Description
A		1	CORNER SEAT
B		1	LSF BACK REST
C		1	RSF BACK REST
D		1	LSF BACK CUSHION
E		1	RSF BACK CUSHION
F		4	PLASTIC LEG 2-1/8"*2"
G		4	SCREW 1/5"*2"
H		1	PILLOW 20"*20"

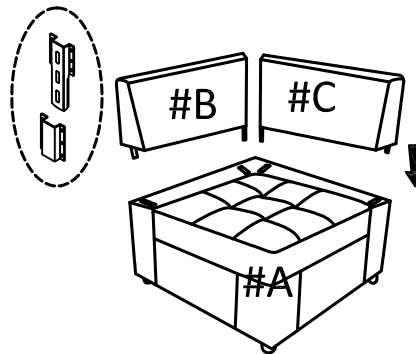
# Step #1



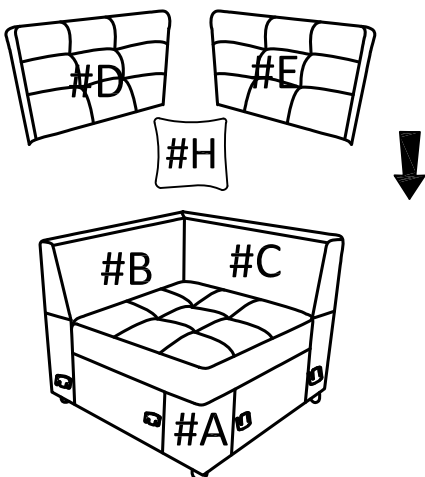
# Step #2



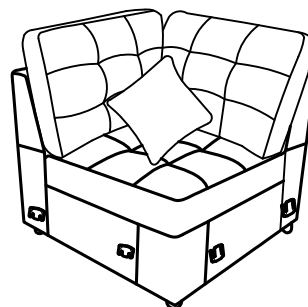
# Step #3



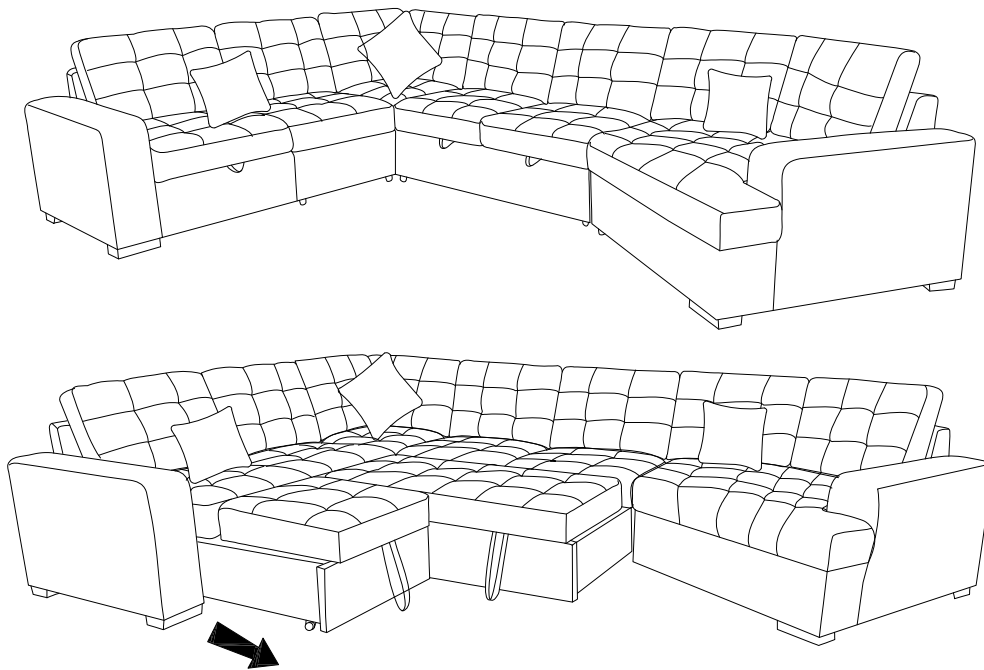
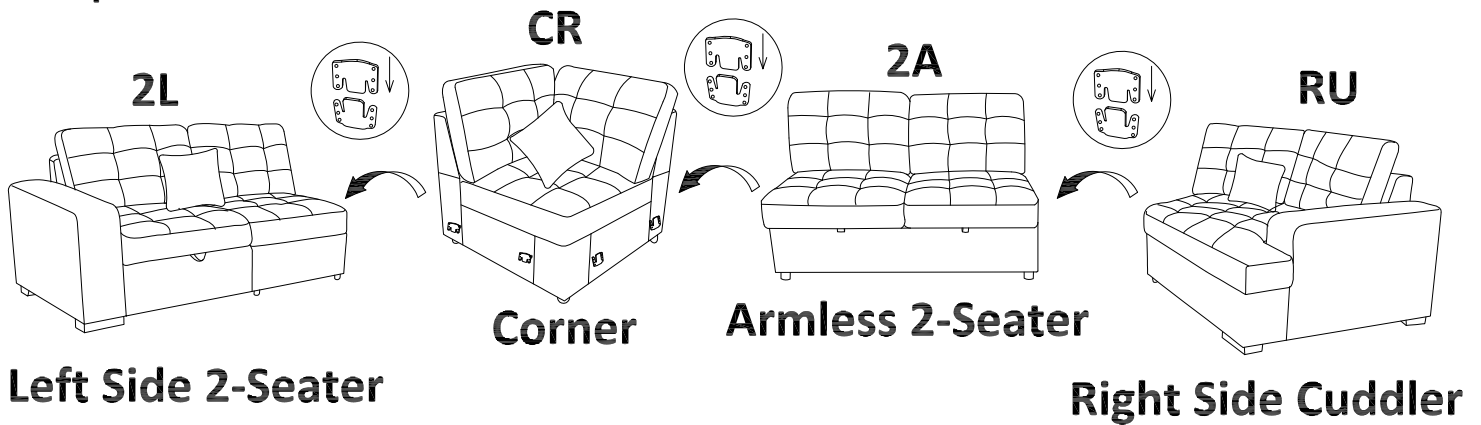
# Step #4



# Step #5



## Step #6



### Care Instruction for Fabric Furniture:

In order to maintain the original appearance of your Fabric Furniture, please follow below simple care procedures:

- Avoid exposing furniture directly to sunlight or heating and air conditioning outlets. Sunlight and or exposure to heating and air conditioning outlets will fade/damage Fabric.
- Vacuum or wipe with a soft cloth to remove dust.

For items use on wooden floor, hard surfaces or carpets, it is recommended to Install protective pads under all legs and supports to avoid/prevent from damages/scratches and discoloration.