



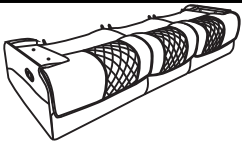
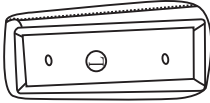
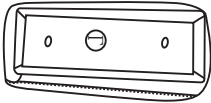
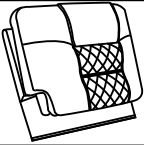

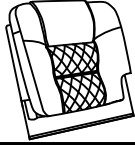

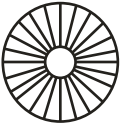

# Assembly Instruction

ITEM NO.: 9388GRY-3

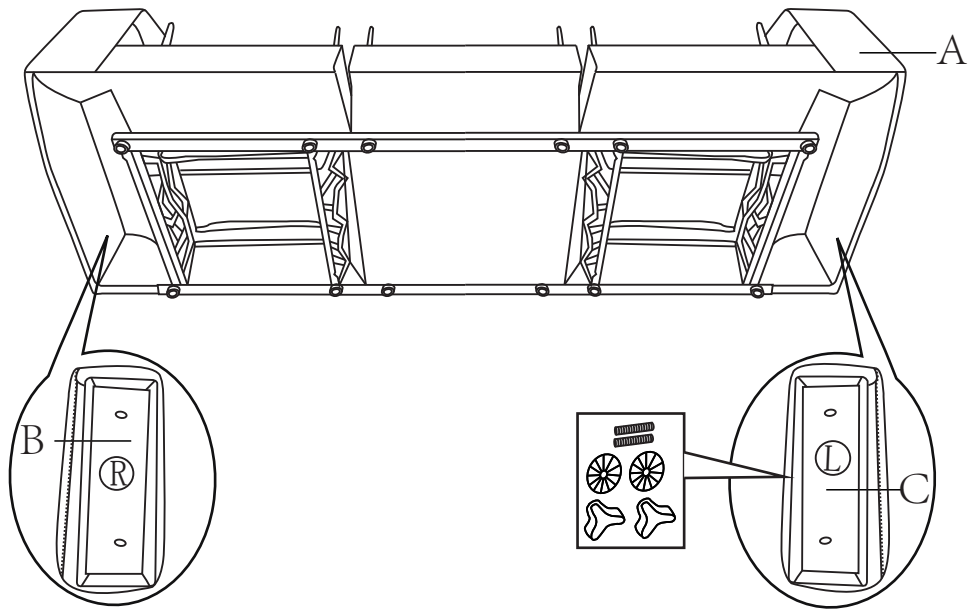
## DOUBLE RECLINING SOFA WITH DROP-DOWN CUP HOLDERS, RECEPTACLES AND USB PORTS

NOTE: Do not use power tools for assembly. Power tools increase the risk of over tightening which leads to splitting or cracking the wood.

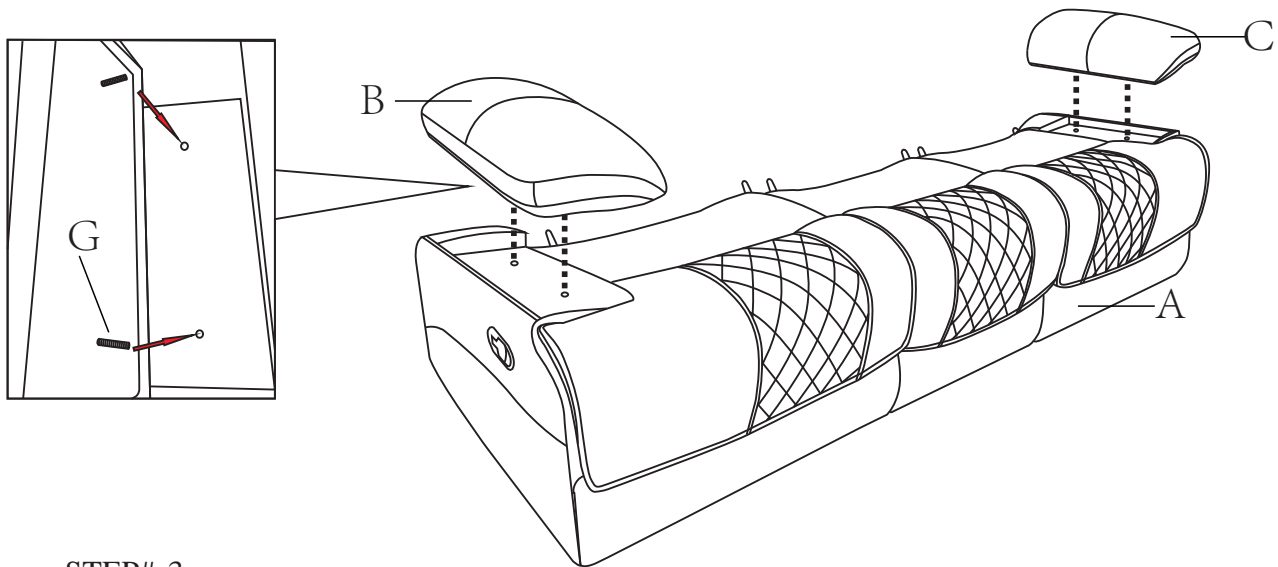
### COMPONENT LIST (SOFA)

| NO. | DRAWING   | QTY | DESCRIPTION             |
|-----|---|-----|-------------------------|
| A   |    | 1   | SEAT                    |
| B   |    | 1   | LSF ARM                 |
| C   |  | 1   | RSF ARM                 |
| D   |  | 1   | LSF BACK REST           |
| E   |  | 1   | MIDDLE BACK REST        |
| F   |  | 1   | RSF BACK REST           |
| G   |  | 4   | THREADED BOLT<br>M6*6CM |
| H   |  | 4   | WASHER                  |
| K   |  | 4   | STAR KNOB               |

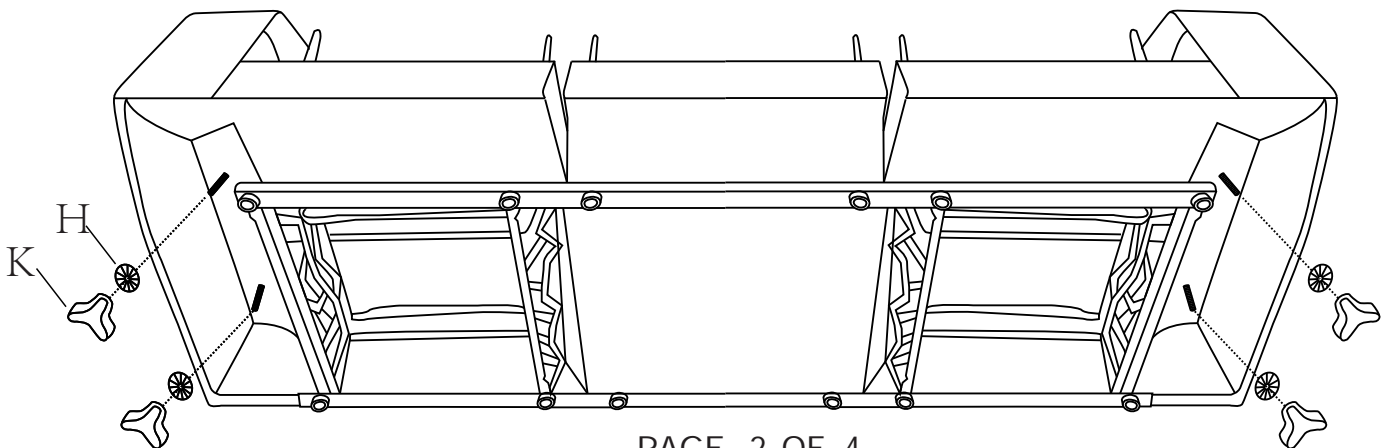
STEP# 1



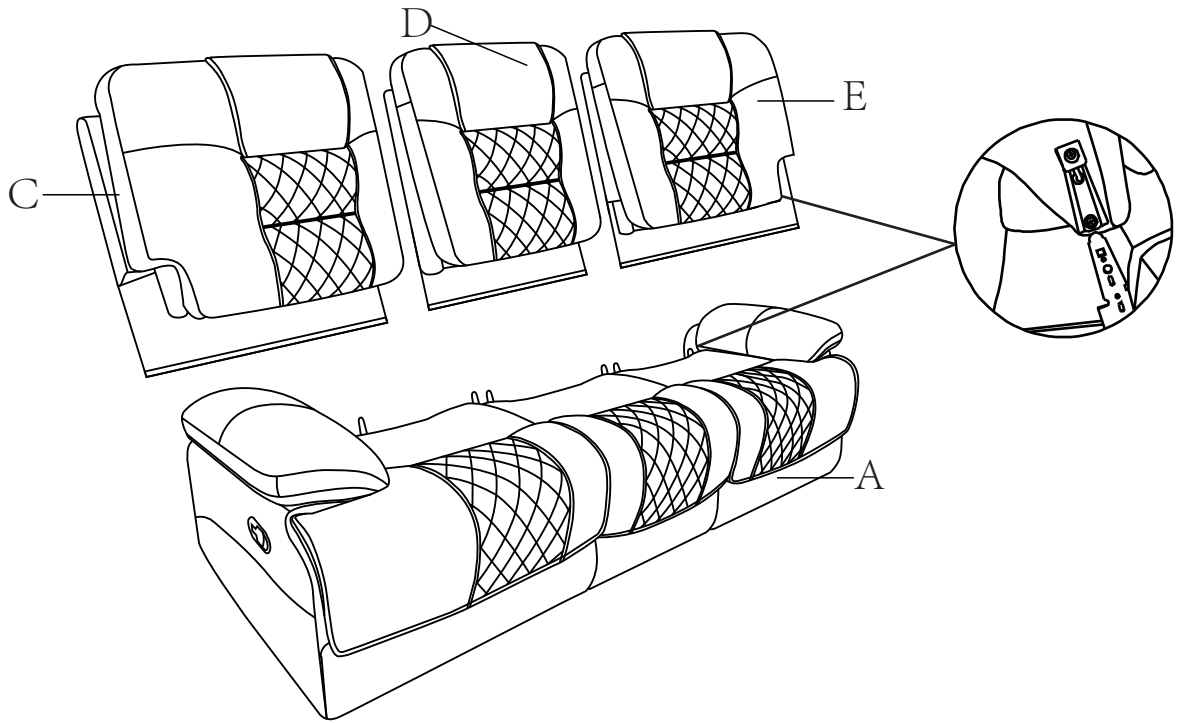
STEP# 2



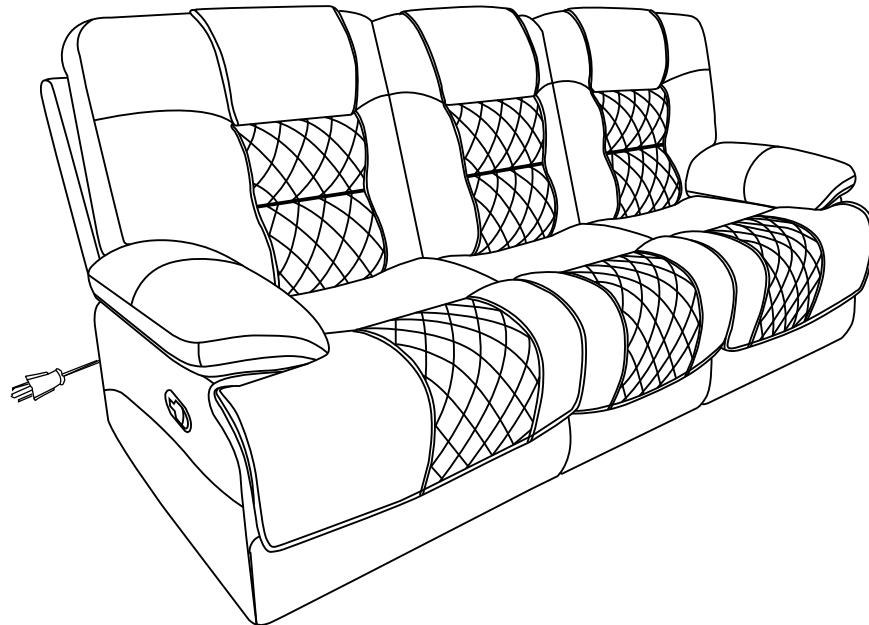
STEP# 3

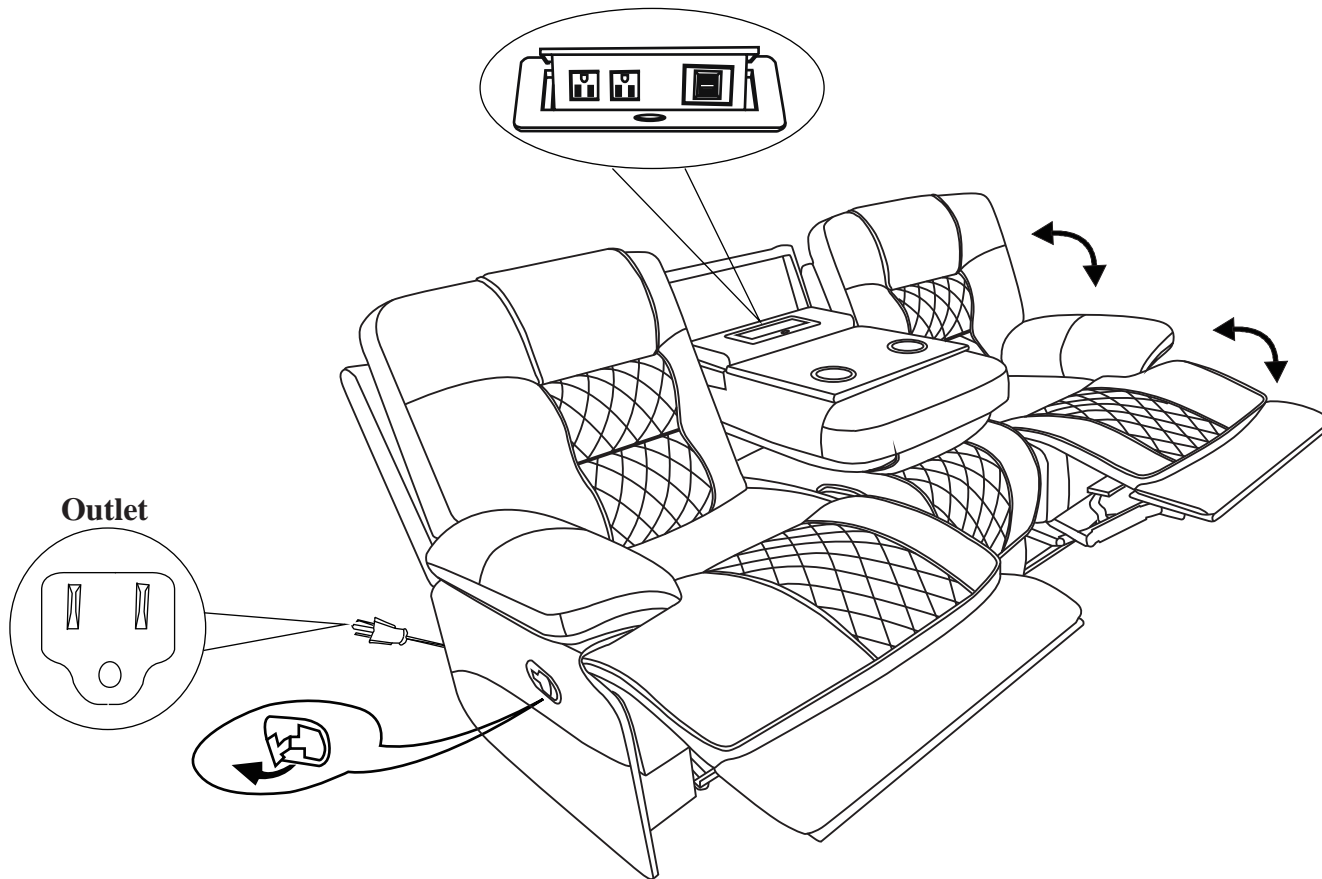


STEP# 4



STEP#5





## Care Instruction for Leather air Furniture.

In order to maintain the original appearance of your leather air furniture, please follow below simple care procedures:

- Avoid exposing furniture directly to sunlight or heating and air conditioning outlets. Sunlight and/or exposure to heating and air conditioning outlets will fade/damage leather air furniture .
- Do not place your upholstered furniture too close to windows, radiators, or vents and be sure to use window, radiators, or vents.
- Vacuum or wipe with a soft brush to remove dust.



For items used on wooden floor, hard surfaces or carpets, it is recommended to install protective pads under all legs supports to avoid/prevent from damages/ scratches discoloration.