

# Assembly Instruction

ITEM NO.: 8549BRW-2

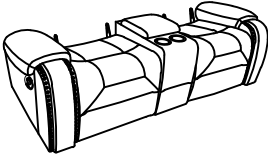


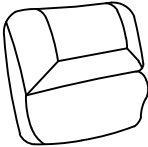

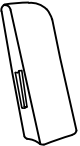

Double Glider Reclining Love Seat with  
Center Console, Receptacles and USB Ports



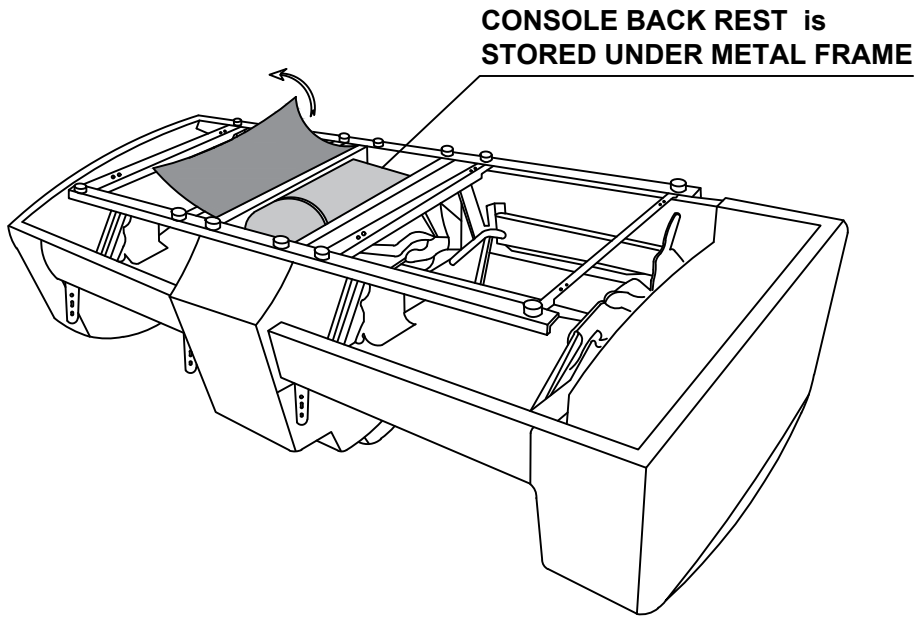
Console Back Rest is stored at the bottom of Love seat, please take out for assembly.

Note: Do not use power tools for assembly. Power tools increase the risk of over tightening which lead to splitting or cracking the wood.

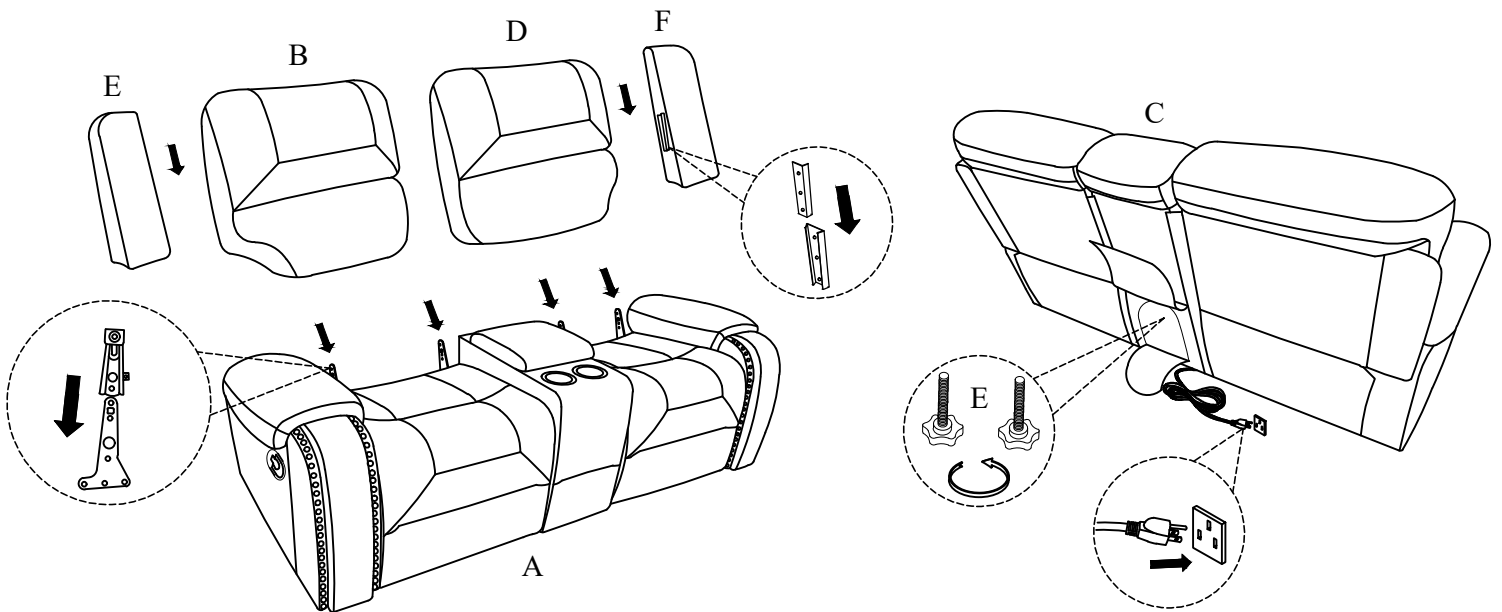
## Component list

| No       | Drawing   | Qty      | Description              |
|----------|---|----------|--------------------------|
| <b>A</b> |    | <b>1</b> | <b>SEAT</b>              |
| <b>B</b> |   | <b>1</b> | <b>LSF BACK REST</b>     |
| <b>C</b> |  | <b>1</b> | <b>CONSOLE BACK REST</b> |
| <b>D</b> |  | <b>1</b> | <b>RSF BACK REST</b>     |
| <b>E</b> |  | <b>1</b> | <b>LSF EAR</b>           |
| <b>F</b> |  | <b>1</b> | <b>RSF EAR</b>           |
| <b>G</b> |  | <b>2</b> | <b>STAR KNOB</b>         |

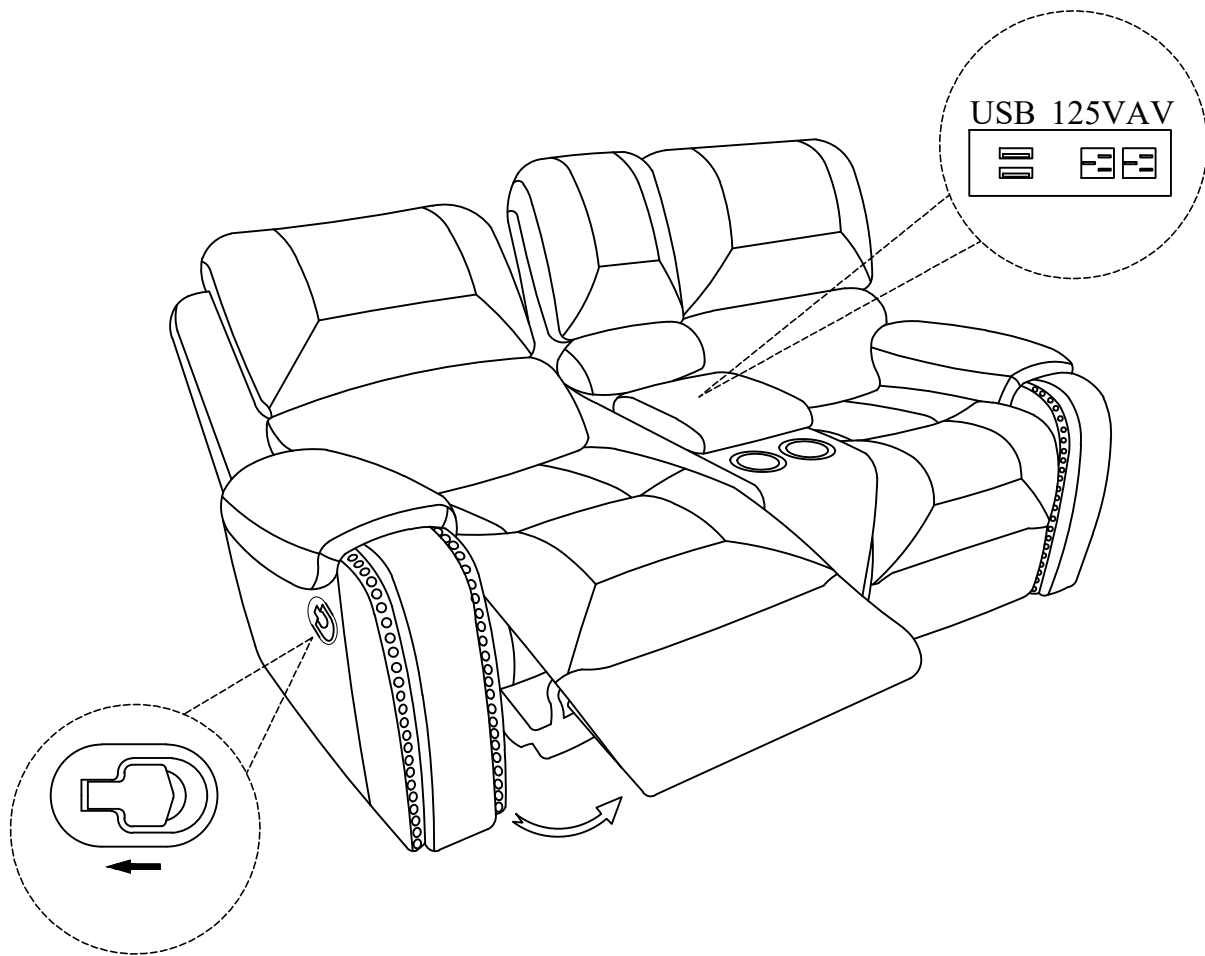
# Step #1



# Step #2



## Step #3



Pull to recline the chair

## Care Instruction for Polished Microfiber Furniture:

In order to maintain the original appearance of your Polished Microfiber Furniture,

please follow below simple care procedures:

- Avoid exposing furniture directly to sunlight or heating and air conditioning outlets. Sunlight and or exposure to heating and air conditioning outlets will fade/damage Polished Microfiber.
- Vacuum or wipe with a soft cloth to remove dust.
- Hardware may loosen over time. Periodically check to make sure all connection are tight, Re-tighten if necessary



For items use on wooden floor, hard surfaces or carpets, it is recommended to Install protective pads under all legs and supports to avoid/prevent from damages/scratches and discoloration.