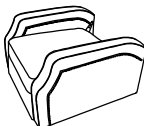









Assembly Instructions

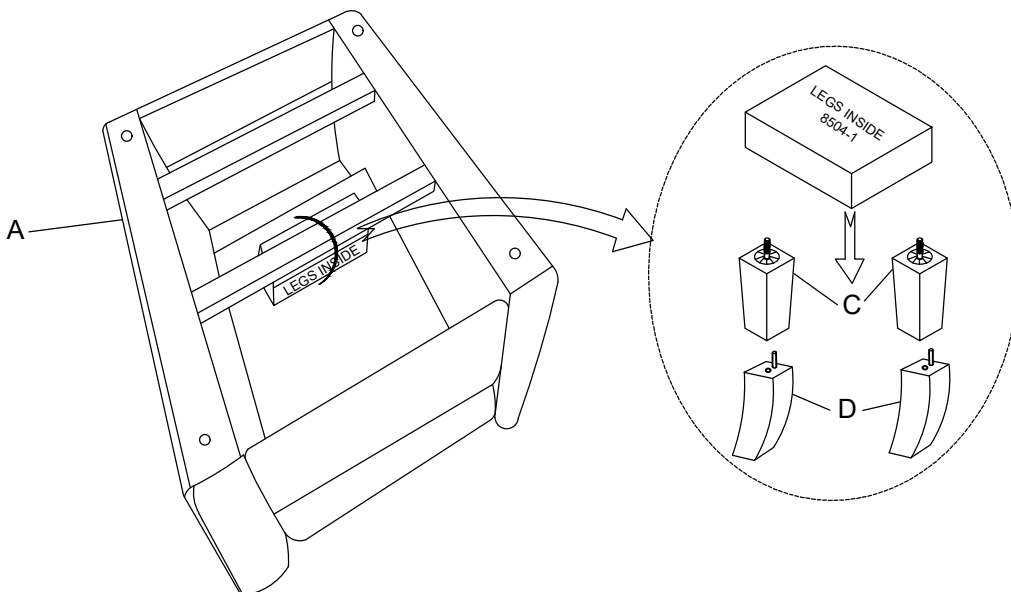
ITEM NO: 8504CC-1

PUSH BACK RECLINING CHAIR

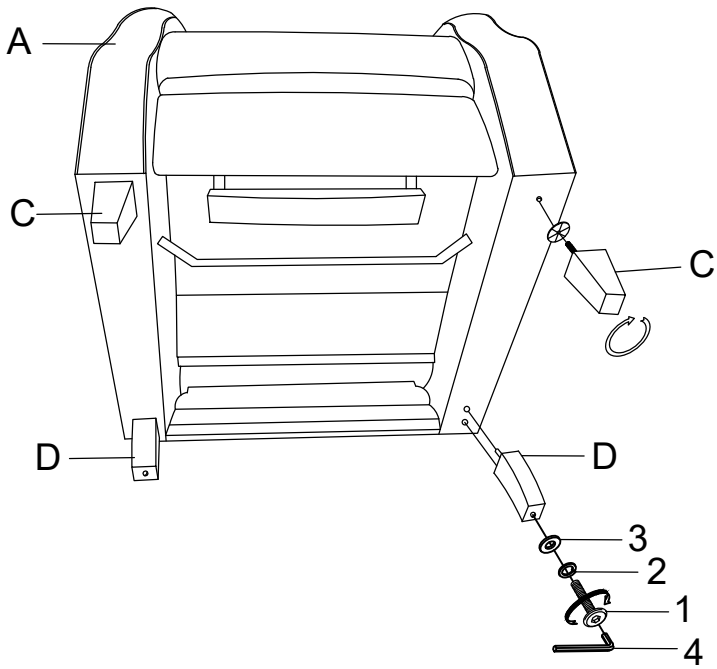
Note: legs and hardware are packed and stored in the bottom of the seat, please take out for assembly.

| PART | DRAWING | DESCRIPTION | QTY | PART | DRAWING | DESCRIPTION | QTY |
|------|---|-------------|-------|------|--|------------------------|-------|
| A |  | SEAT | 1 PC | 1 |  | BOLT (Ø5/16" *3") | 2 PCS |
| B |  | BACK | 1 PC | 2 |  | SPRING WASHER (Ø5/16") | 2 PCS |
| C |  | FRONT LEG | 2 PCS | 3 |  | FLAT WASHER (Ø5/16") | 2 PCS |
| D |  | REAR LEG | 2 PCS | 4 |  | ALLEN KEY (M4) | 1 PC |

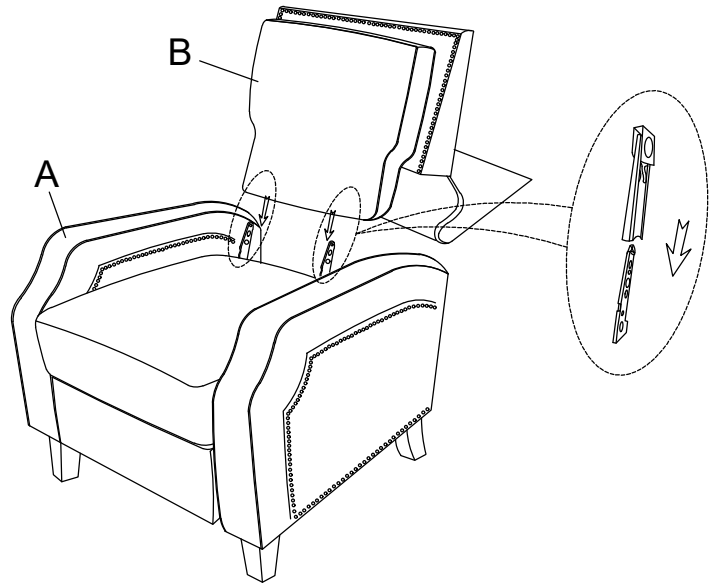
STEP 1:



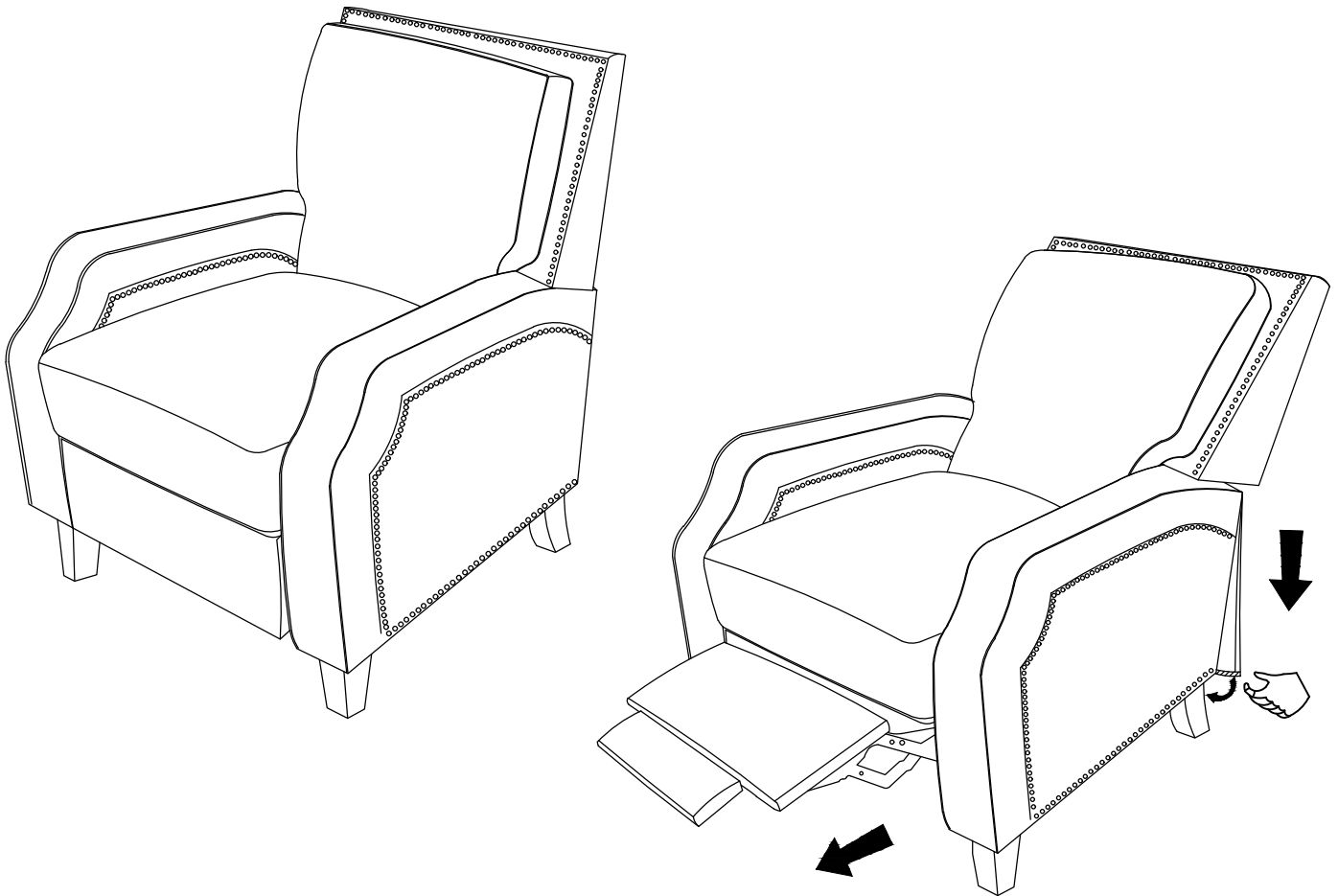
STEP 2:



STEP 3:



STEP 4: COMPLETED



CARE INSTRUCTION FOR FABRIC FURNITURE

In order to maintain the original appearance of your furniture, please follow below care procedures.

°Avoid exposing furniture directly to sunlight or heating and air conditioning outlets. Sunlight and / or exposure to heating and air conditioning outlets will fade/damage fabric. Do not place your upholstered furniture too close to windows, radiators, vents and be sure to use window treatments to block the sun's rays.

°Wipe with a soft brush to remove dust.