



# Assembly Instruction

ITEM NO.:8228BU/TP/GY-L

LSF 2-Seater W/Adjustable Headrests  
and pull-out Bed

8228BU/TP/GY-R



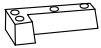
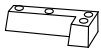


RSF Chaise W/Adjustable Headrest and  
Storage.



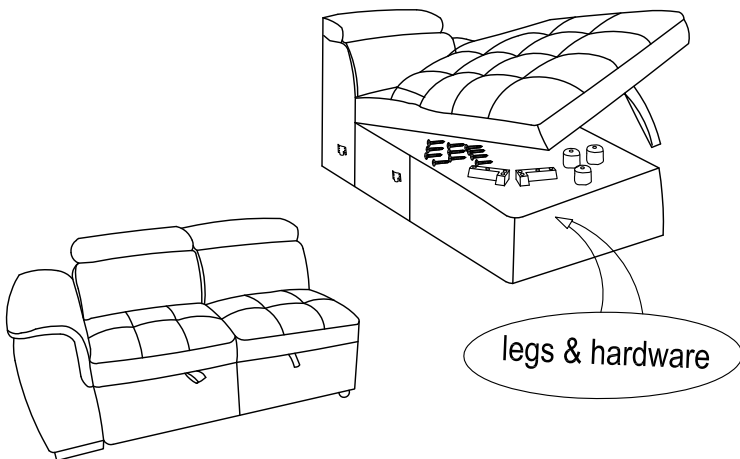
Legs & hardware are stored in the RSF chaise,  
please take out the legs and hardware for assembly.

Note:Do not use power tools for assembly. Power tools increase the  
risk of over tightening which lead to splitting or cracking the wood.

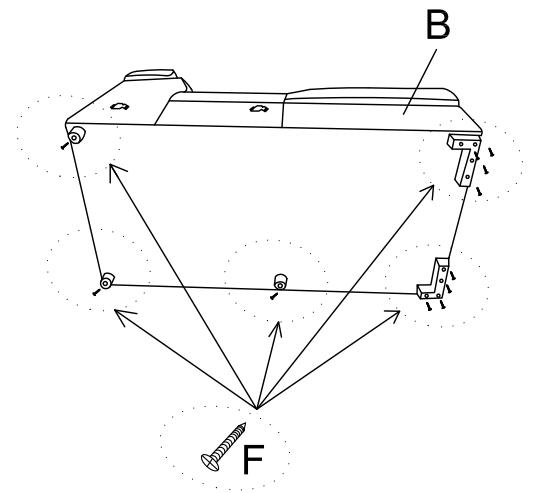
## Component list .

No	Drawing	Qty	DESCRIPTION
A		1	LSF 2 SEATER (LEGS PRE-ASSEMBLED)
B		1	RSF CHAISE
C		1	RSF CHAISE-LSF LEG
D		1	RSF CHAISE-RSF LEG
E		3	RSF CHAISE-MIDDLE SUPPORT LEG
F		11	BOLT / M5*50mm

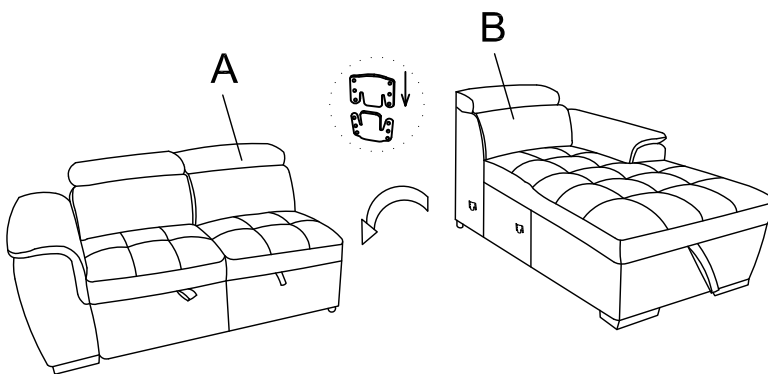
### Step #1



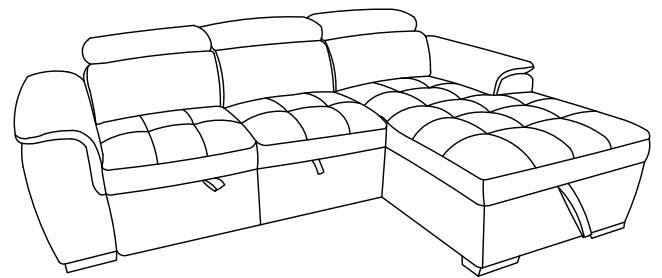
### Step #2



### Step #3



### Step #4



## 100% Polyester for Care Instruction:

In order to maintain the original appearance of your furniture , please follow below simple care procedures:

- Avoid exposing furniture directly to sunlight or heating and air conditioning outlets. Sunlight and or exposure to heating and air conditioning outlets will fade/damage .
- Vacuum or wipe with a soft cloth to remove dust.



For items use on wooden floor, hard surfaces or carpets, it is recommended to Install protective pads under all legs and supports to avoid/prevent from damages/scratches and discoloration.