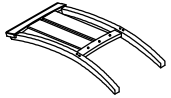
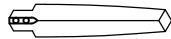
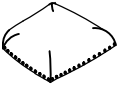
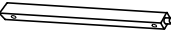











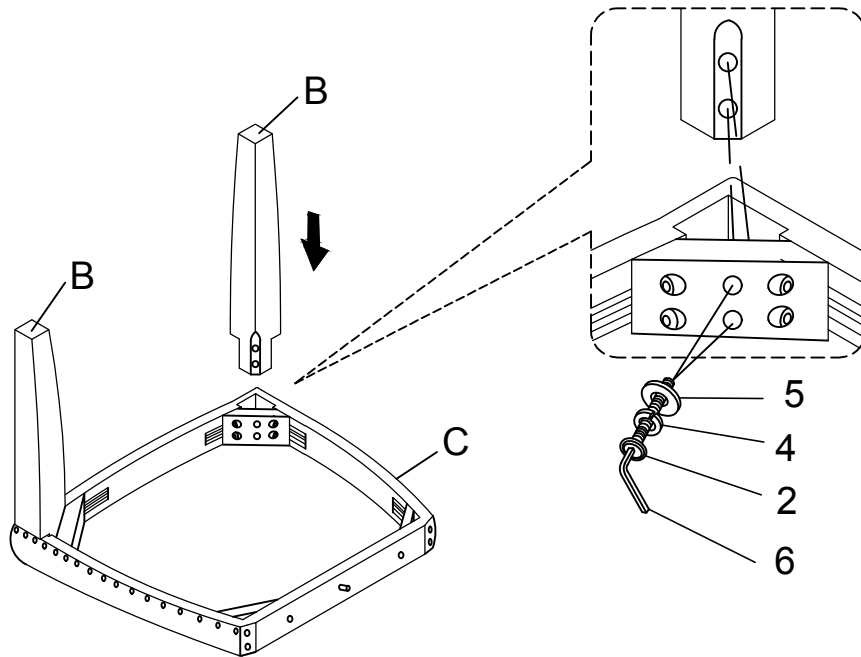
Assembly Instruction

ITEM: #5799S SIDE CHAIR

NO.	PARTS LIST		Q'TY
A		BACKREST	1PC
B		FRONT LEG	2PCS
C		SEAT	1PC
D		LEG SUPPORT (RIGHT&LEFT)	2PCS

HARDWARE LIST			
NO.	DESCRIPTION	DRAWING	Q'TY
1	BOLT 5/16" x 82mm		8PCS
2	BOLT 5/16" x 57mm		8PCS
3	BOLT 5/16" x 45mm		8PCS
4	LOCK WASHER 5/16"		8PCS
5	FLAT WASHER 5/16"x19mm		8PCS
6	ALLEN KEY M5		1PC
7	WOOD SCREW 8# x 50mm		4PCS

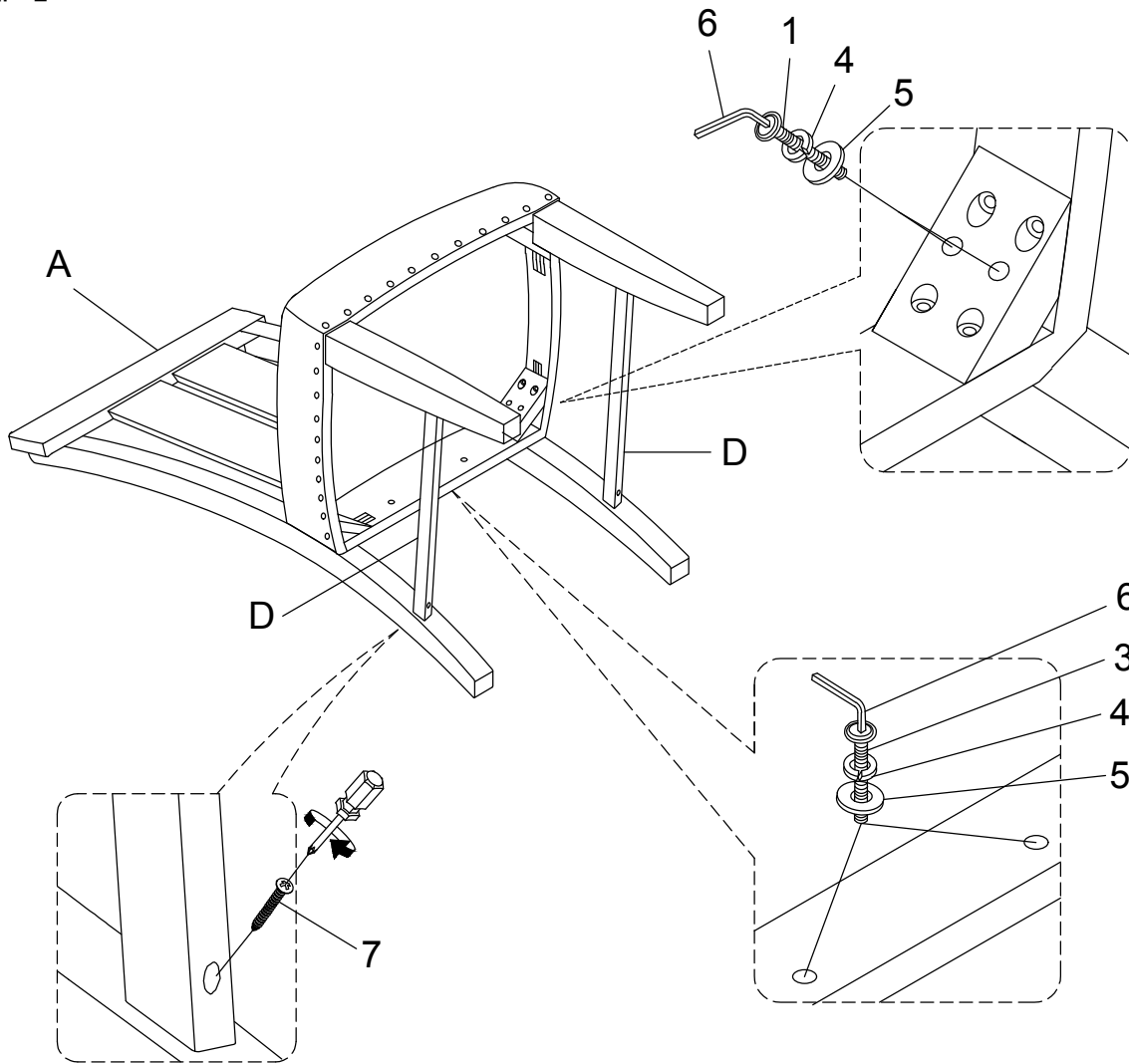
STEP 1



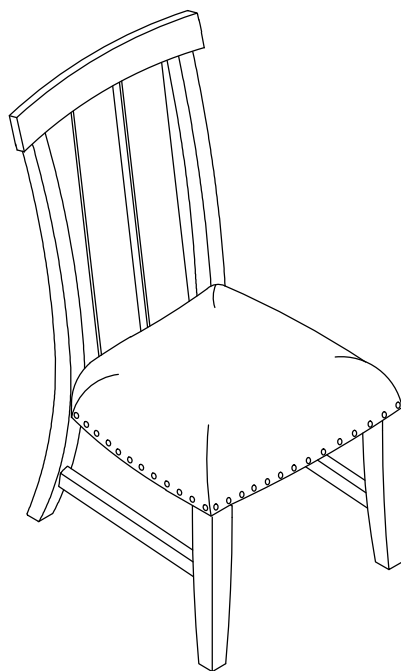
For items use on wooden floor, hard surfaces or carpets, it is recommended to install protective pads under all legs and supports to avoid/prevent from damages/scratches and discoloration.

MADE IN VIETNAM

STEP 2



STEP 3



Assembly completed

MADE IN VIETNAM