



ASSEMBLY INSTRUCTION

5050-36 5PC PACK COUNTER HEIGHT TABLE

PART LIST:

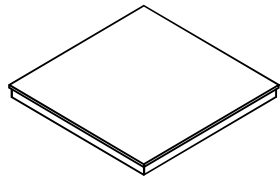
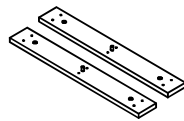
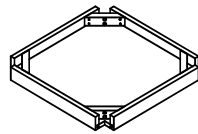


Table Top
1pc



Mounting Board
2pcs



Bottom Shelf
1pc

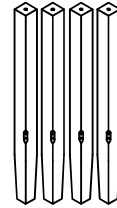
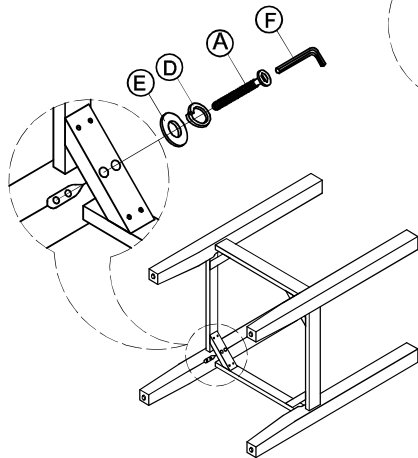


Table Leg
4pcs

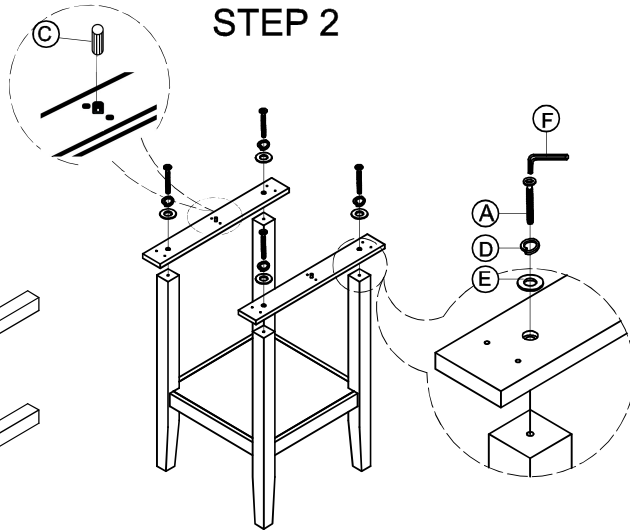
HARDWARE LIST

A		Long Bolt	Ø1/4"x L60mm	12PCS
B		Short Bolt	Ø1/4"x L32mm	12PCS
C		Wood Dowel	Ø10xL25mm	2PCS
D		Spring Washer	Ø5/16"	24PCS
E		Flat Washer	5/16"(Ø16)*2mm	24PCS
F		L-Allen Key	4*59mm	1PC

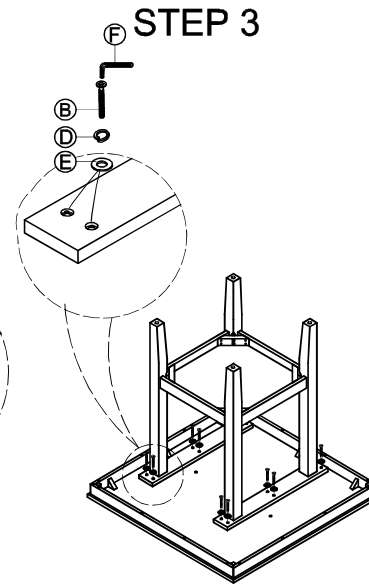
STEP 1



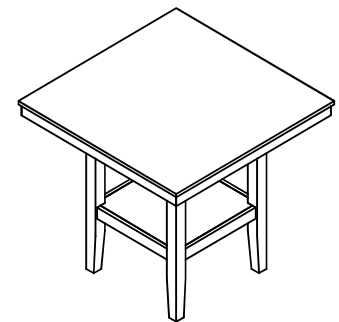
STEP 2



STEP 3



COMPLETED



(1) - Affix each Table Leg to each corner of the Bottom shelf. Insert bolt and washer from Bottom shelf to Table legs and do not tighten until Step 2.

(2) - Upright the Table legs and Bottom shelf then put Mounting board to top of Table legs. Insert bolt and washer through Mounting board to Table legs then tighten all bolt by using L-Allen key.

(3) - Flip over the assembled part and attach to the Table top. Insert Screws to Mounting board then tighten to Table top by using screwdriver (*Not provide*).



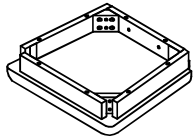
It is recommended to install protective pads under all legs and supports to avoid damage or scratches when placing furniture on a wood floor or other hard surface, and to limit indentation and prevent discoloration if placing on carpet.



HOME ELEGANCE

ASSEMBLY INSTRUCTION 5050-36 5PC PACK COUNTER HEIGHT CHAIR

PART LIST:



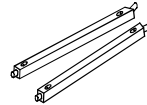
Seat Cushion
1pc



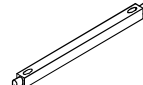
Chair Back
1pc



Front Leg
2pcs



Side stretcher
2pcs

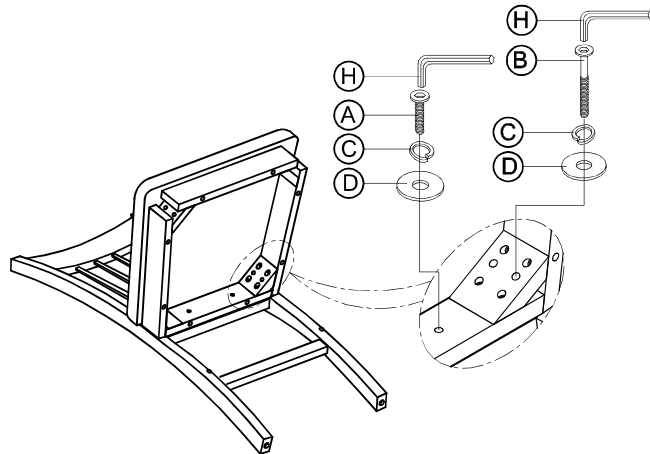


Front stretcher
1pc

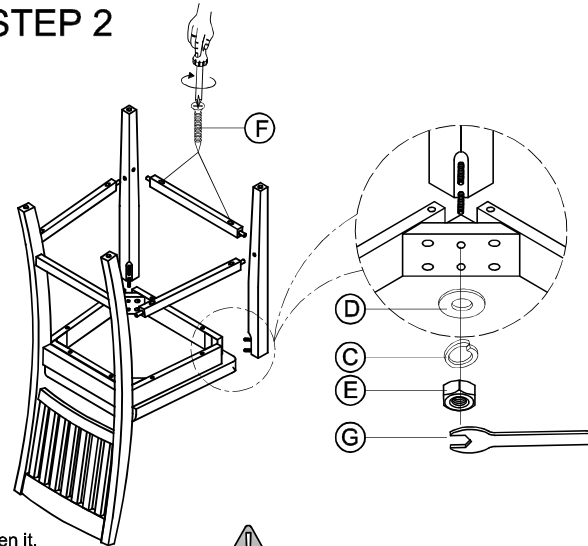
HARDWARE LIST

A		Short Bolt	Ø1/4"x L40mm	2 PCS
B		Long Bolt	Ø1/4"x L75mm	4 PCS
C		Spring Washer	Ø5/16"	10 PCS
D		Flat Washer	5/16"(Ø16)*2mm	10 PCS
E		Hex Nut	5/16" x 13mm	4 PCS
F		Screw	Ø1/4" x 38mm	6 PCS
G		Wrench	5/16"	1 PC
H		L-Allen Key	4*59mm	1 PC

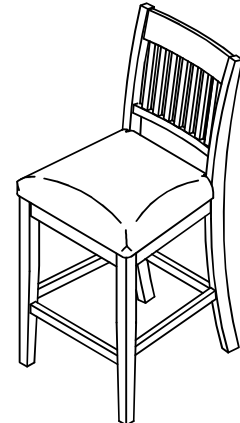
STEP 1



STEP 2



COMPLETED



- (1) Align the seat to the chair back, insert the bolt and washer to pre-drilled holes and tighten it.
- (2) Attach side stretcher to chair back then attach front legs to side stretchers and seat cushion, insert the nut and washer then tighten front chair to cushion seat. Insert screws to stretcher then tighten by using screwdriver (*not provide*).



It is recommended to install protective pads under all legs and supports to avoid damage or scratches when placing furniture on a wood floor or other hard surface, and to limit indentation and prevent discoloration if placing on carpet.