
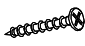

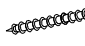
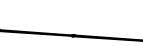

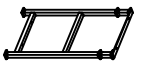

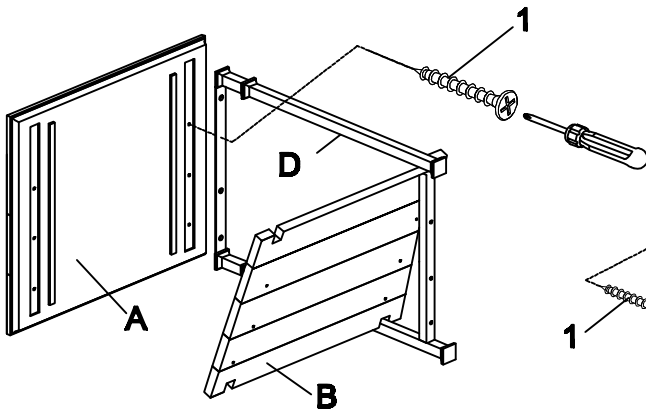


ASSEMBLY INSTRUCTIONS

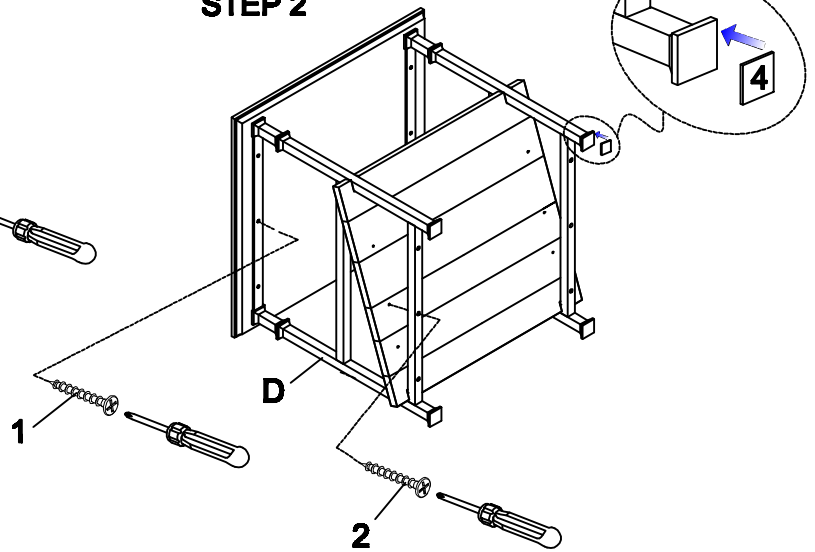
ITEM#: 3228-04 END TABLE

PART LIST				HARDWARE LIST				
A		TOP PANEL	1PC	1		SCREW-SMALL	Ø4X3/4"	4PCS
B		BOTTOM PANEL	1PC	2		SCREW-BIG	Ø4X1-1/2"	4PCS
C		IRON BAR	2PCS	3		BOLT	5/32X1/2"	5PCS
D		SIDE FRAME	2PCS	4		SPACER	40X40X3mm	4PCS

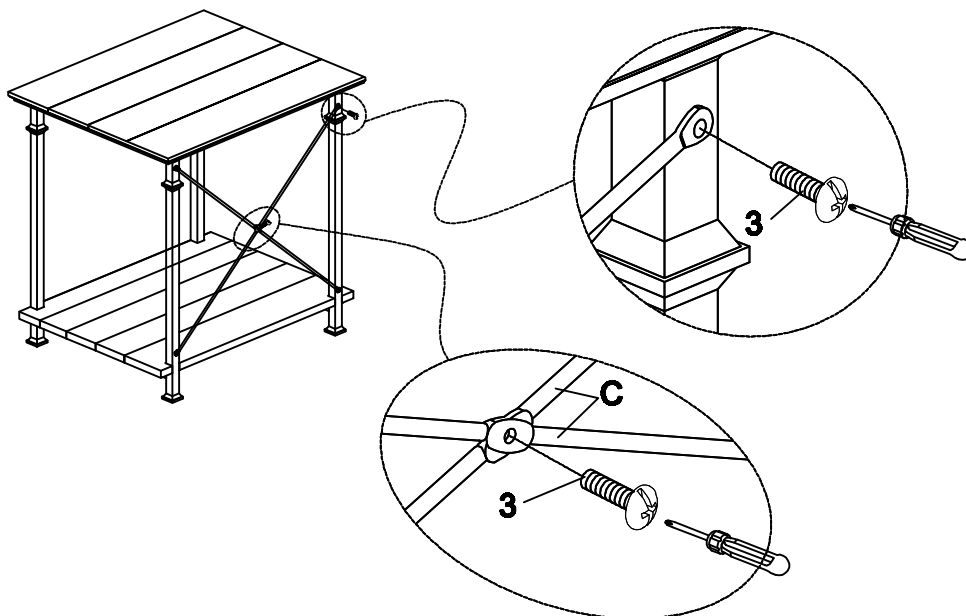
STEP 1



STEP 2



STEP 3



STEP 4

