



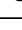









# ASSEMBLY INSTRUCTION

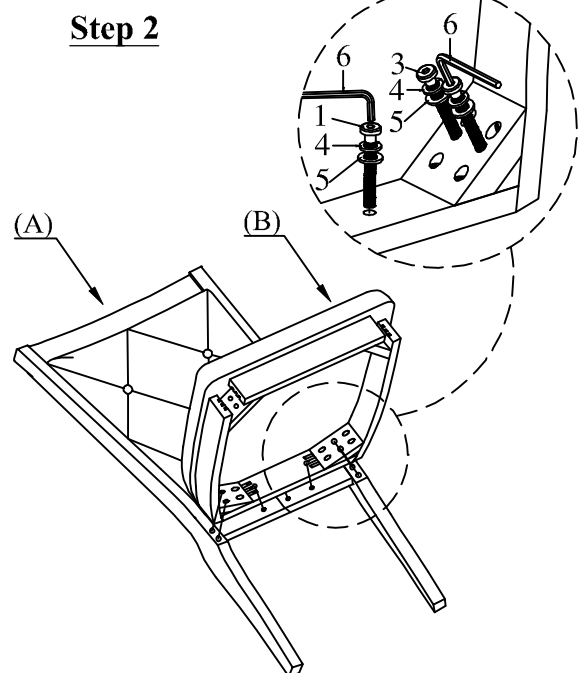
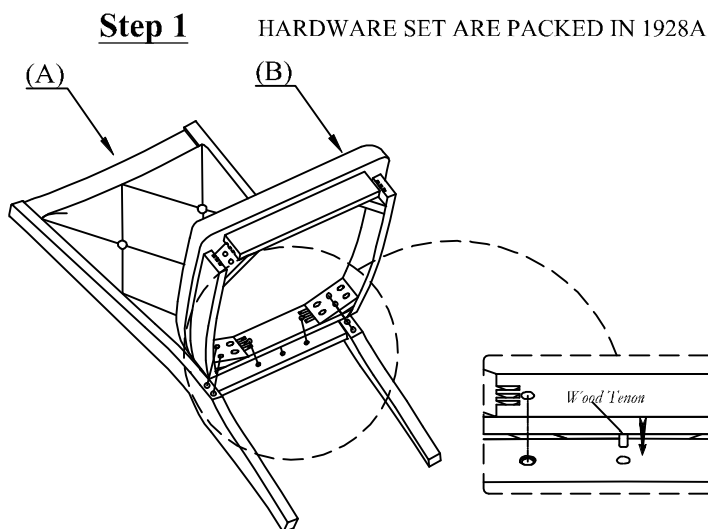
1928A - ARM CHAIR

Thank you for purchasing this product. Please take time to read and follow instructions below. Check that you have all parts and hardware before assembly. Parts apparently missing are often found in packing materials. If you do not have all parts listed, call us and they be sent to you immediately

**!** It is recommended to install protective pads under all legs and supports to avoid damage or scratches when placing furniture on a wood floor or other hard surface, and to limit indentation and prevent discoloration if placing on carpet.

HARDWARE LIST			
NO.	DESCRIPTION	DRAWING	Q'TY
1	BOLT Ø1/4"-30 x 1-1/2"		2PCS
2	BOLT Ø1/4"-50 x 2-1/2"		4PCS
3	BOLT Ø1/4"-60 x 3"		4PCS
4	LOCK WASHER Ø1/4"x9/32" x 1/2"x 0.08"		12PCS
5	FLAT WASHER Ø1/4"x9/32" x 5/8"x 0.08"		12PCS
6	ALLEN KEY 1/6" x 2-1/4"		1PC
7	BOLT Ø1/4"-35 x 1-3/4"		2PCS
8	SCREW/VIS Ø8 x Ø4 x 45mm		2PCS

PARTS LIST			
A		CHAIR BACK	1PC
B		SEAT FRAME WITH CUSHION	1PC
C		LEG	2PCS
D		ARM (L+R)	2PCS



DO NOT TIGHTEN BOLTS UNTIL COMPLETELY ASSEMBLED.

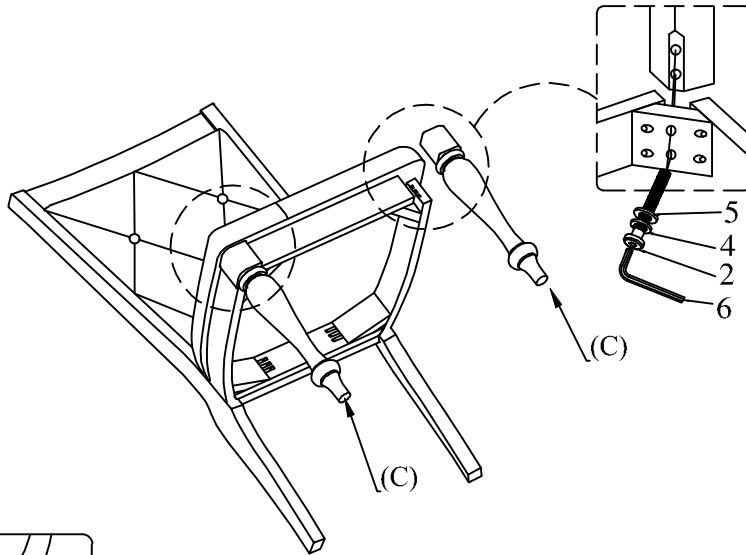


# ASSEMBLY INSTRUCTION

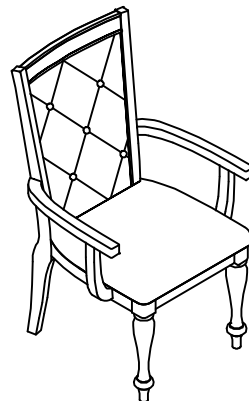
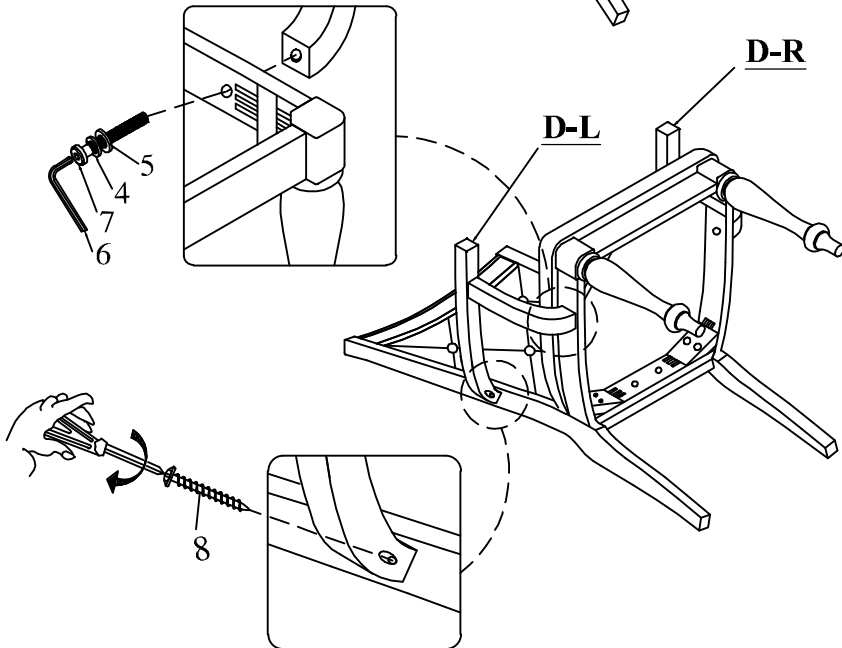
H O M E E L E G A N C E

1928A - ARM CHAIR

## Step 3



## Step 4



ASSEMBLY COMPLETED

DO NOT TIGHTEN BOLTS UNTIL COMPLETELY ASSEMBLED.

MADE IN VIETNAM