



HOME ELEGANCE

# ASSEMBLY INSTRUCTION

ITEM NO: 1869 - 1 (1/3 ) QUEEN HEADBOARD)

1869 - 2 (2/3) QUEEN FOOTBOARD)

1869 - 3 (3/3 ) QUEEN RAILS & SLATS)

**Thank you for purchasing this quality product. Be sure to check all packing material carefully for small parts that may have come loose inside the carton during shipment.**

### TOOLS REQUIRED (NOT PROVIDED)

PHILLIPS SCREWDRIVER



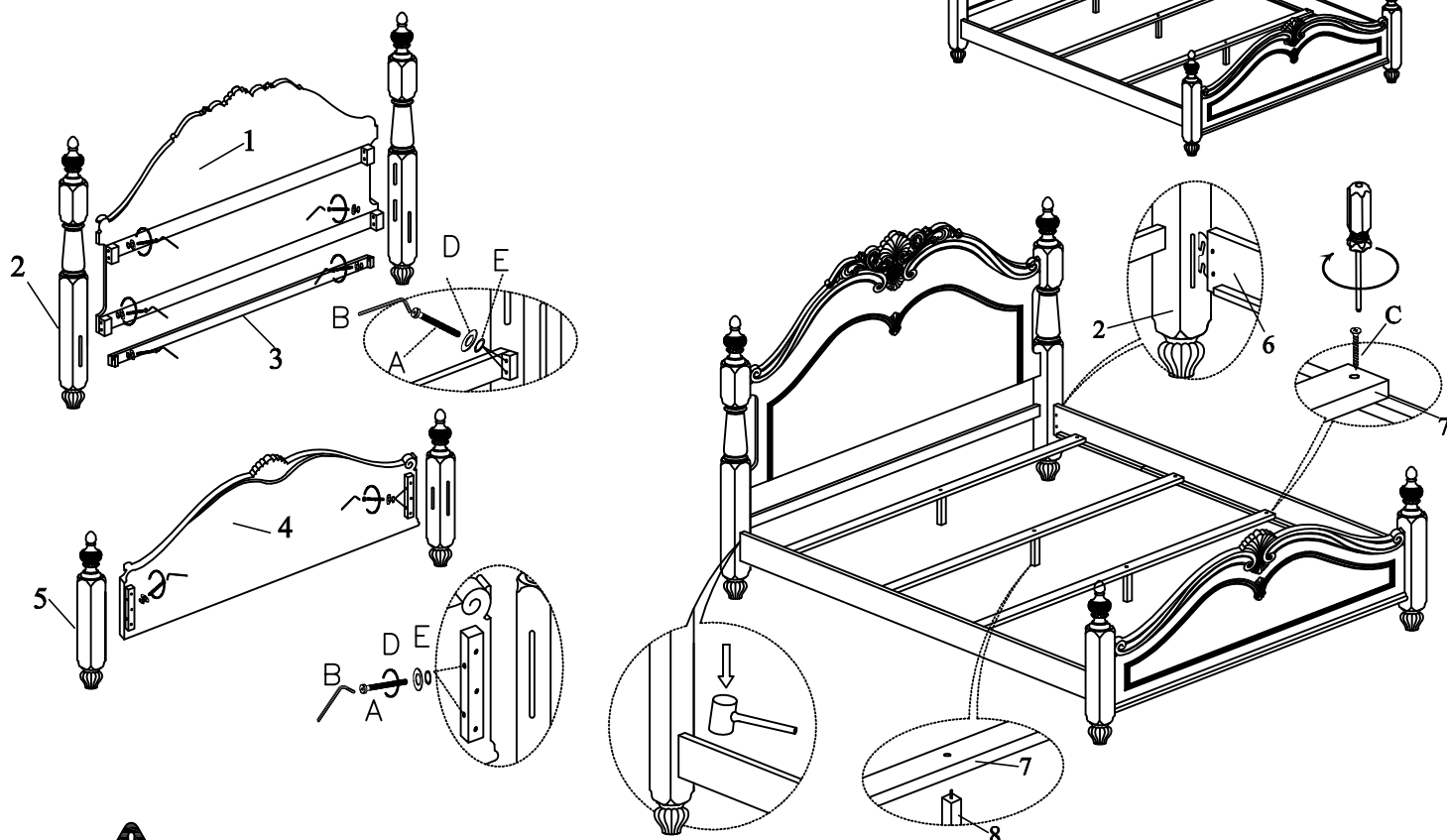
Hardware packed with headboard/rails.

### PART LISTS

NO.	Description	Sketch	Q'ty
1	HEADBOARD		1PC
2	HEADBOARD POST (L&R)		2PCS
3	HEADBOARD BOTTOM RAIL		1PC
4	FOOTBOARD		1PC
5	FOOTBOARD POST (L&R)		2PCS
6	SIDE RAIL		2PCS
7	SLAT		3PCS
8	SUPPORT LEG		3PCS

### HARDWARE LISTS

NO.	Description	Sketch	Size	Q'ty
A	BOLT		5/16"*45mm	14PCS
B	ALLEN KEY		4mm	1PC
C	WOOD SCREW		25mm	6PCS
D	SPRING WASHER		5/16"*12D*2	14PCS
E	FLAT WASHER		5/16"*22D	14PCS



For items use on wooden floor, hard surfaces or carpets, it is recommended to install protective pads under all legs and supports to avoid/prevent from damages/scratches and discoloration

MADE IN VIETNAM