



# ASSEMBLY INSTRUCTION

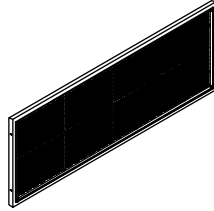
1635DZ-1/1635WH-1/1635DZF-1/1635WHF-1  
QUEEN/FULL PLATFORM BED

## HOMEELEGANCE

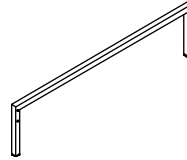
### PART LIST:



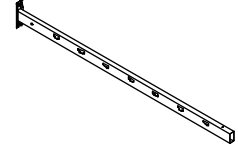
A: HEADBOARD LEGS  
2PCS



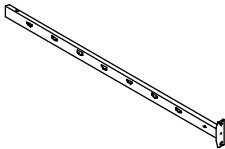
B: HEADBOARD  
1PC



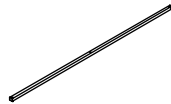
C: FOOTBOARD  
1PC



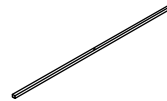
D: SIDE RAIL  
2PCS



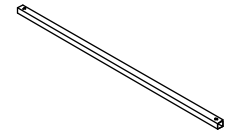
E: SIDE RAIL  
2PCS



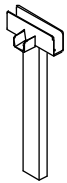
F: CENTER CROSS BAR  
1PC



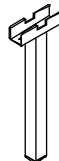
G: SIDE CROSS BAR  
2PCS



H: CENTER RAIL  
SUPPORT BAR  
2PCS



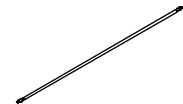
I: CENTER SLAT  
SUPPORT LEG  
2PCS



J: CENTER RAIL  
SUPPORT LEG  
1PC



K: CENTER RAIL  
SUPPORT LEG  
2PCS



L: SLAT  
14PCS



M: SLAT CONNECTOR  
28PCS

### HARDWARE SET:



1: Bolt  
1/4\*50mm  
X 4pcs



2: Bolt  
5/16\*19mm  
X 8pcs



3: Bolt  
5/16\*55mm  
X 2pcs



4: Bolt  
1/4\*35mm  
X 6pcs



5: Bolt  
5/16\*48mm  
X 5pcs



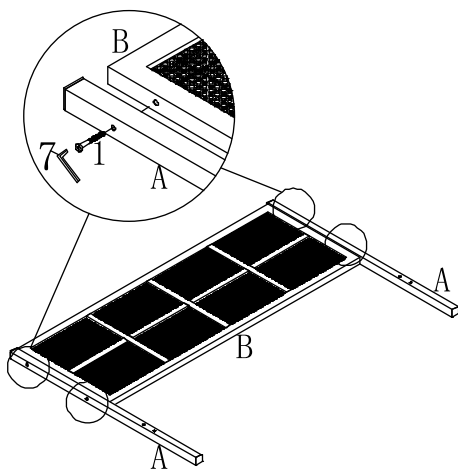
6: Bolt  
5/16\*34mm  
X 2pcs



7: Allen Key  
X 1pc

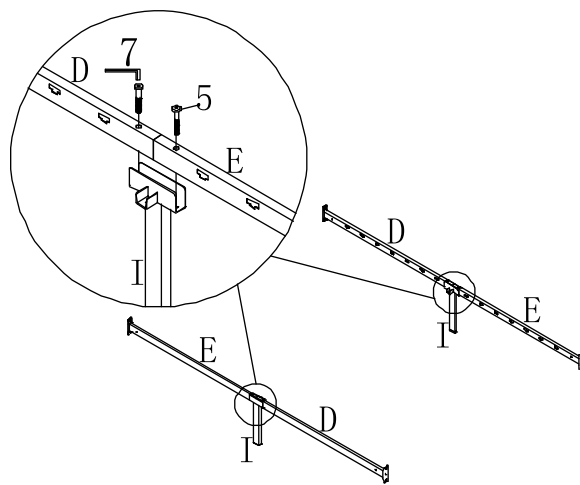
Note: Please do not tighten all bolts until the bed is assembled completely.

STEP 1



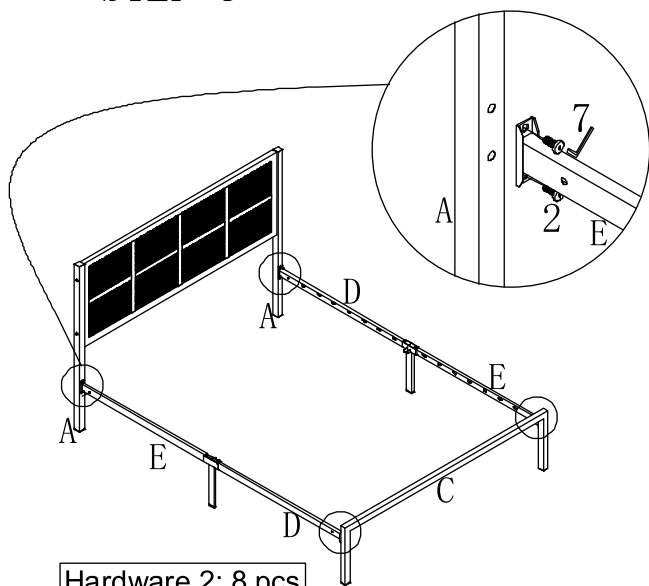
Hardware 1: 4 pcs

STEP 2



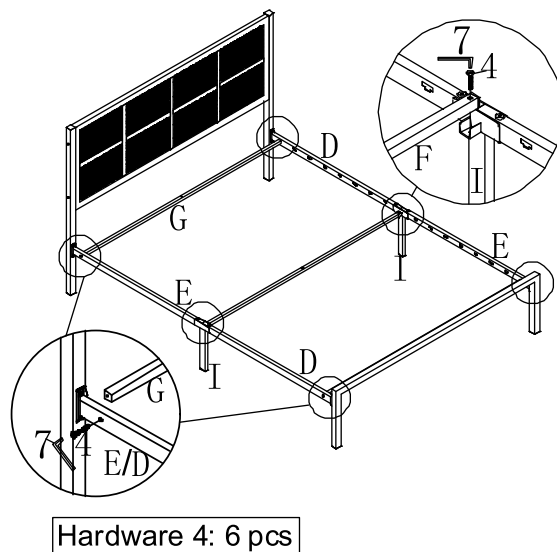
Hardware 5: 4 pcs

STEP 3



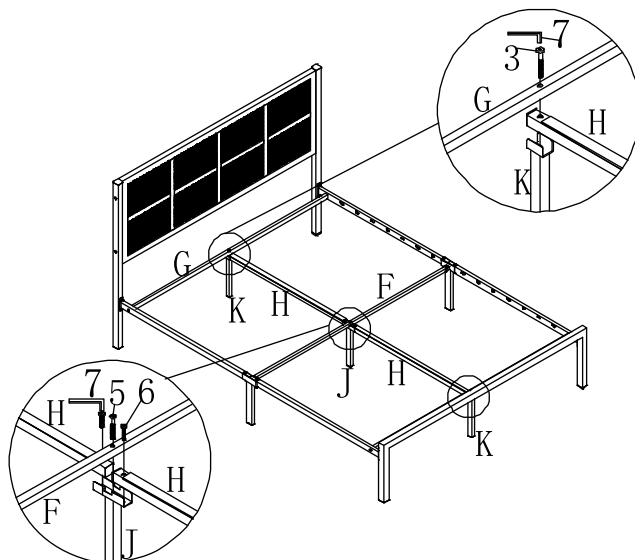
Hardware 2: 8 pcs

STEP 4



Hardware 4: 6 pcs

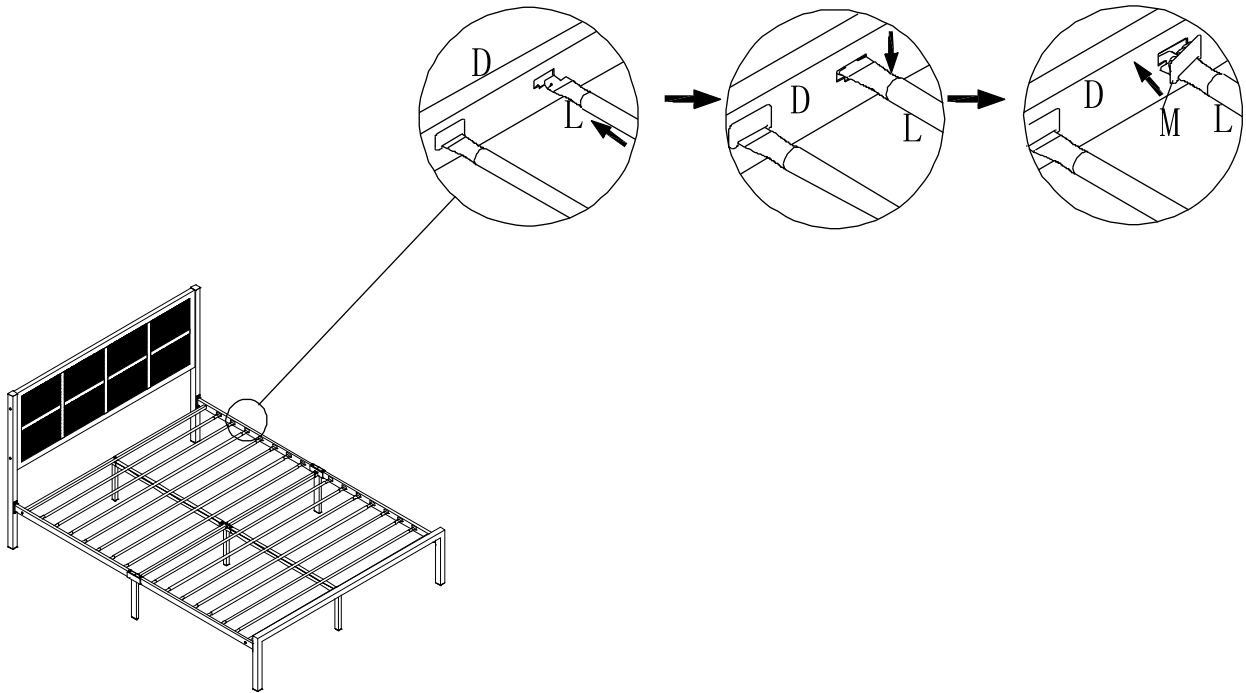
STEP 5



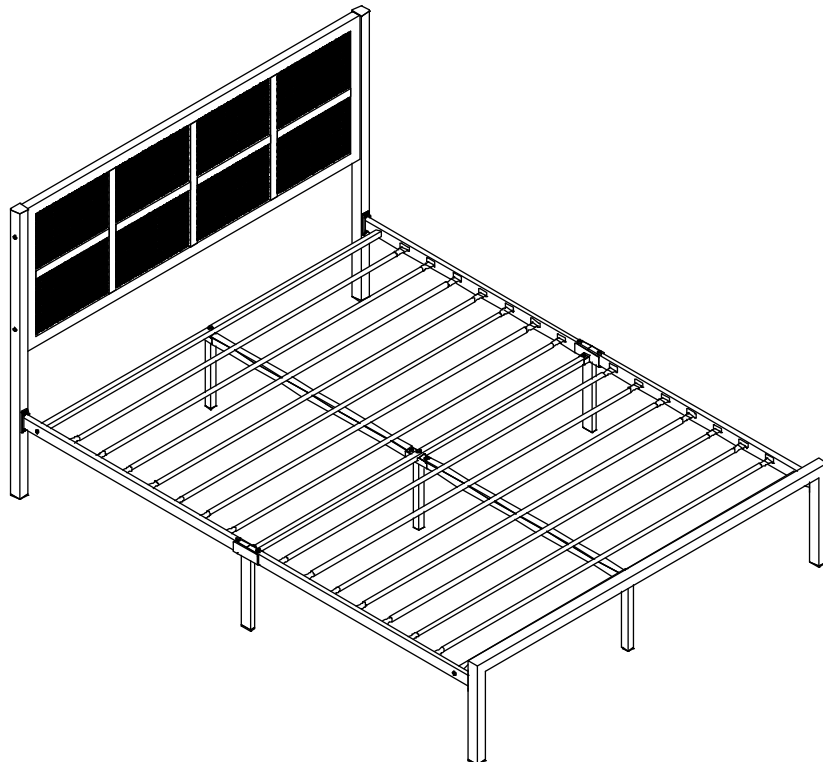
Hardware 3: 2 pcs  
 Hardware 5: 1 pcs  
 Hardware 6: 2 pcs

Note: Please do not tighten all bolts until the bed is assembled completely.

## STEP 6



## COMPLETED



For items use on wooden floor, hard surfaces or carpets, it is recommended to install protective pads under all legs and supports to avoid/prevent from damages/scratches and discoloration.