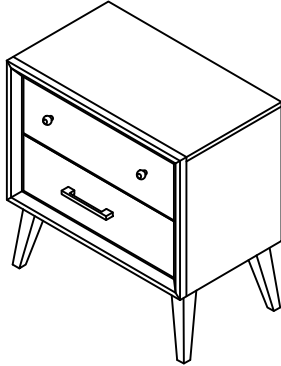




ASSEMBLY INSTRUCTION

ITEM NO : 1444-4 NIGHT STAND

Thank you for purchasing this product. Please take time to read and follow the instructions below. Check that you have all parts and hardware before assembly. Parts apparently missing are often found in the packing materials. If you do not have all the parts listed, have your dealer contact us and they will be sent to you immediately.



It is recommended to install protective pads under all legs and support to avoid damage or scratches when placing furniture on a wood floor or other hard surface, and to limit indentation and prevent discoloration if placing on carpet.



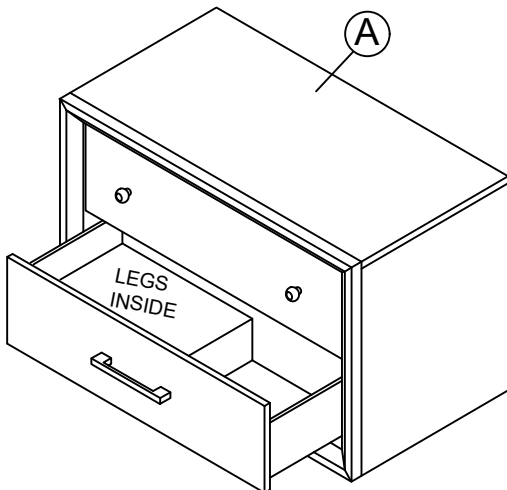
Hardware may loosen over time. Periodically check to make sure all connections are tight. Retighten if necessary.

PART LIST			
No	Sketch	Description	Quantity
A		Night Stand	1
B		Leg	4

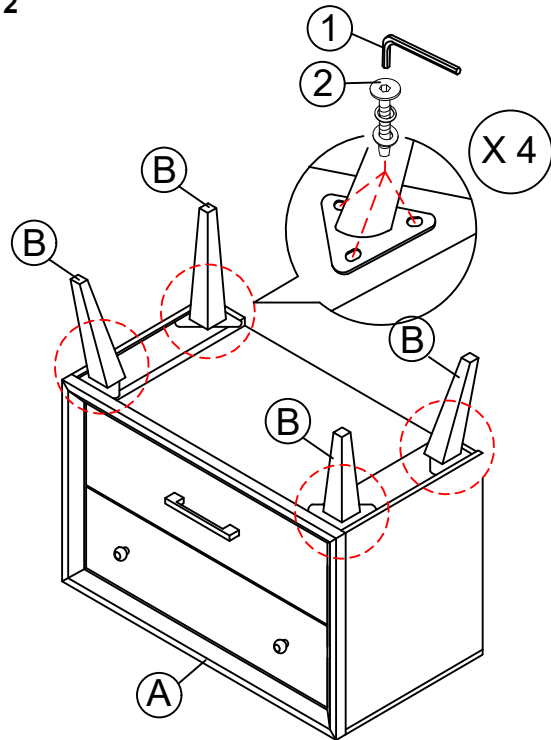
HARDWARE LIST				
No	Description	Size	Sketch	Quantity
1	Allen Key	M4 x 60mm		1
2	Connection Bolt -JCBC Bolt -Spring Washer -Flat Washer	M6-1.0 x 20mm Ø1/4" x 7/32" x 7/16" x 0.06" Ø1/4" x 1/4" x 3/4" x 0.04"		12

* ABOVE HARDWARE ARE PACKED IN 1444-4 FOR ASSEMBLY

STEP 1



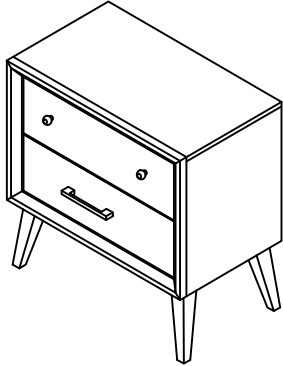
STEP 2





ASSEMBLY INSTRUCTION

ITEM NO : 1444-4 NIGHT STAND



Thank you for purchasing this product. Please take time to read and follow the instructions below. Check that you have all parts and hardware before assembly. Parts apparently missing are often found in the packing materials. If you do not have all the parts listed, have your dealer contact us and they will be sent to you immediately.



It is recommended to install protective pads under all legs and support to avoid damage or scratches when placing furniture on a wood floor or other hard surface, and to limit indentation and prevent discoloration if placing on carpet.

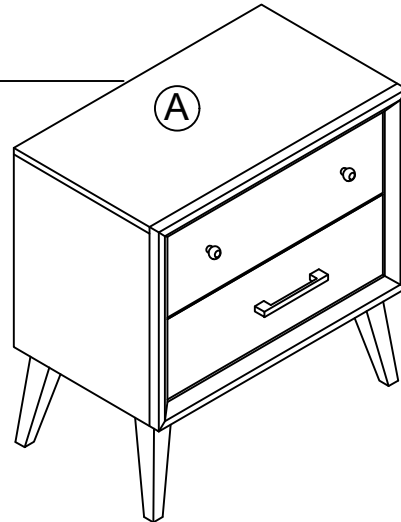
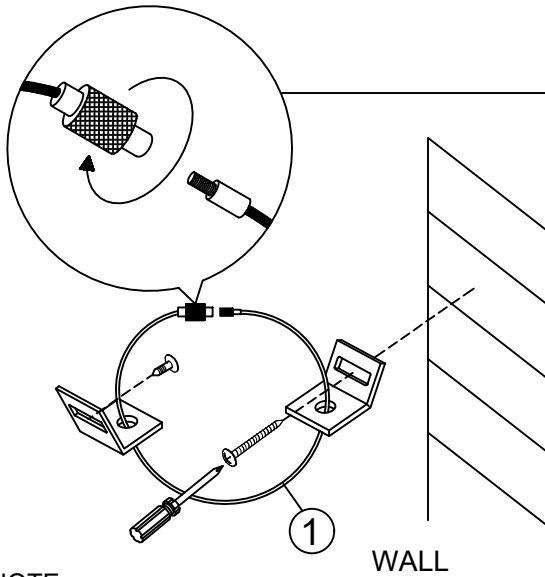


Hardware may loosen over time. Periodically check to make sure all connections are tight. Retighten if necessary.

PART LIST				HARDWARE LISTS			
No	Sketch	Description	Quantity	No	Description	Sketch	Quantity
A		Night Stand	1	1	Tipping Restraint		1set

STEP 1

* ABOVE HARDWARE ARE PACKED IN 1444-4 FOR ASSEMBLY



NOTE

Tipping Restraint hardware kit is included with this product. Refer to installation instruction in the hardware pack.

Completed

* ANTI-TIPPING HARDWARE PACK IS AT THE BACK PANEL