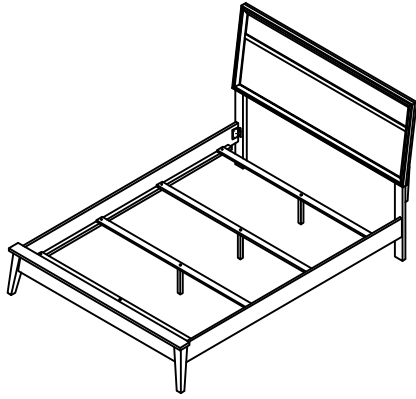




ASSEMBLY INSTRUCTION

ITEM NO : 1444-1/-2/-3 Queen Bed
1444K-1/K-2/-3 King Bed
1444-1/1444K-1 Queen / King Headboard
1444-2/1444K-2 Queen / King Footboard & Slats +
Support Legs
1444-3 Queen / EK Side Rails



Thank you for purchasing this product. Please take time to read and follow the instructions below. Check that you have all parts and hardware before assembly. Parts apparently missing are often found in the packing materials. If you do not have all the parts listed, have your dealer contact us and they will be sent to you immediately.



It is recommended to install protective pads under all legs and support to avoid damage or scratches when placing furniture on a wood floor or other hard surface, and to limit indentation and prevent discoloration if placing on carpet.



Hardware may loosen over time. Periodically check to make sure all connections are tight. Re-tighten if necessary.



Foundation / box spring required, sold separately.

1444-1/1444K-1 PART LIST			
No	Sketch	Description	Quantity
A		Headboard	1

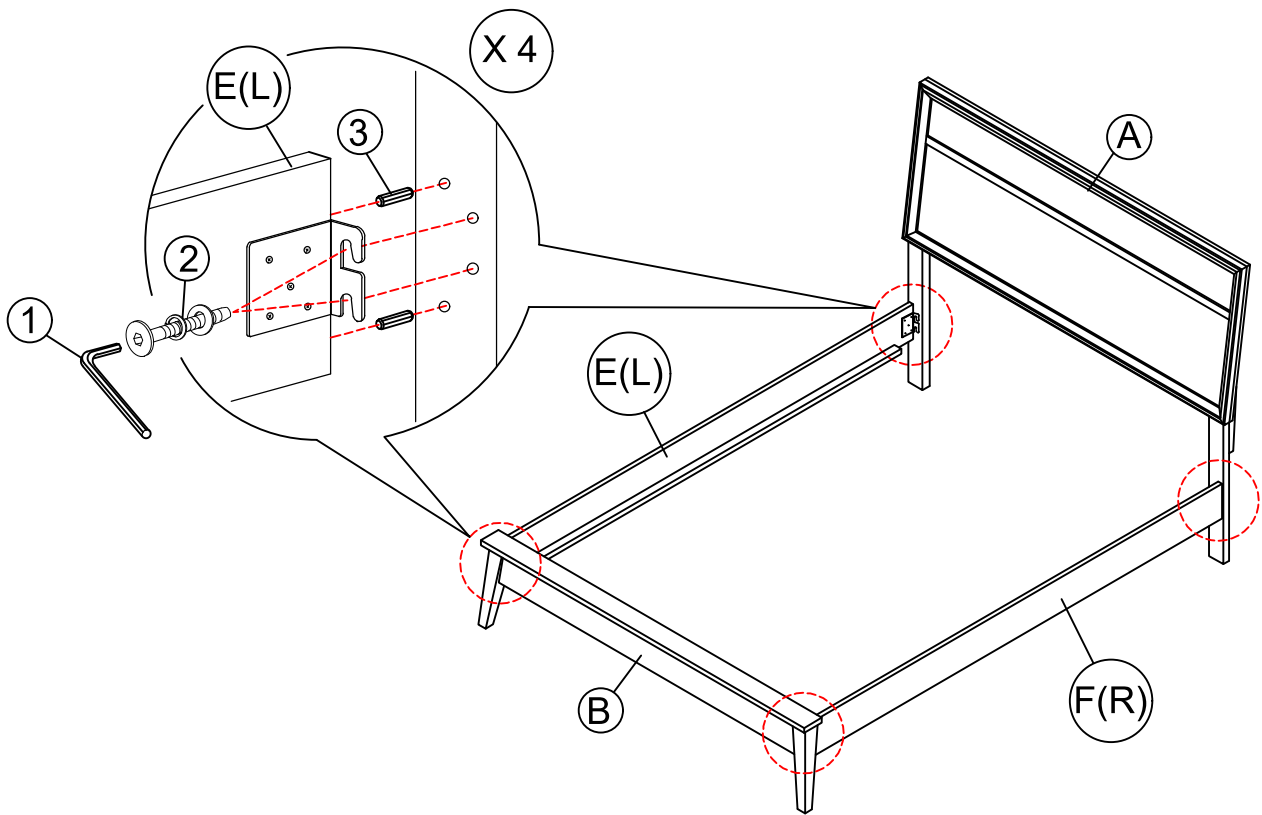
1444-2/1444K-2 PART LIST			
No	Sketch	Description	Quantity
B		Footboard	1
C		Queen Slats	4
		EK Slats	
D		Queen Support Leg	4
		EK Support Leg	8

1444-3 PART LIST			
No	Sketch	Description	Quantity
E(L)		LSF Side Rail	1
F(R)		RSF Side Rail	1

HARDWARE LIST				
No	Description	Size	Sketch	Quantity
1	Allen Key	M4 x 60mm		1
2	Connection Bolt -JCBC Bolt -Spring Washer -Flat Washer	M6-1.0 x 45mm Ø1/4" x 7/32" x 7/16" x 0.06" Ø1/4" x 1/4" x 3/4" x 0.04"		8
3	Wood Dowel	M10 x 30mm		8
4	Screw	M4 x 32mm		8

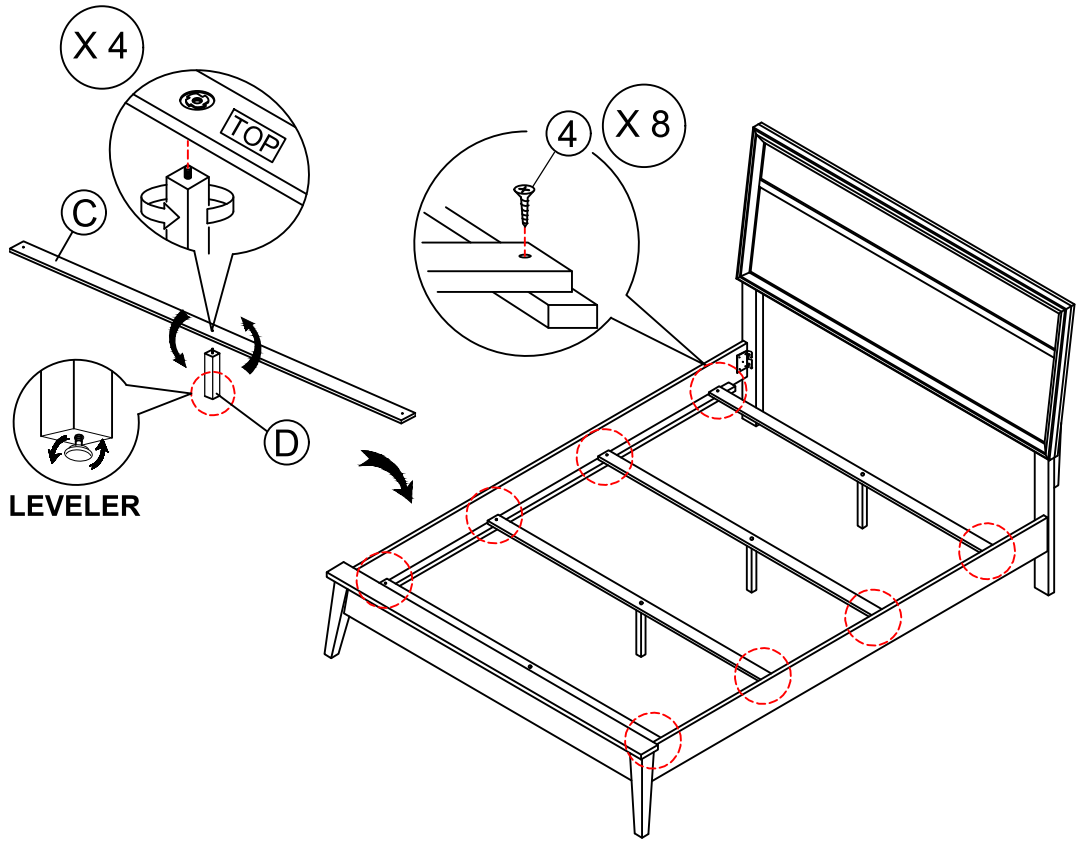
* ABOVE HARDWARE ARE PACKED IN 1444-3 FOR ASSEMBLY

STEP 1



STEP 2

QUEEN BED ASSEMBLY



STEP 2

KING BED ASSEMBLY

