



ASSEMBLY INSTRUCTION

Item No.:

1436W - 1 (1/3) Queen Headboard

1436W - 2 (2/3) Queen Footboard and slats

1436W - 3 (3/3) Eastern King/Queen Side Rails

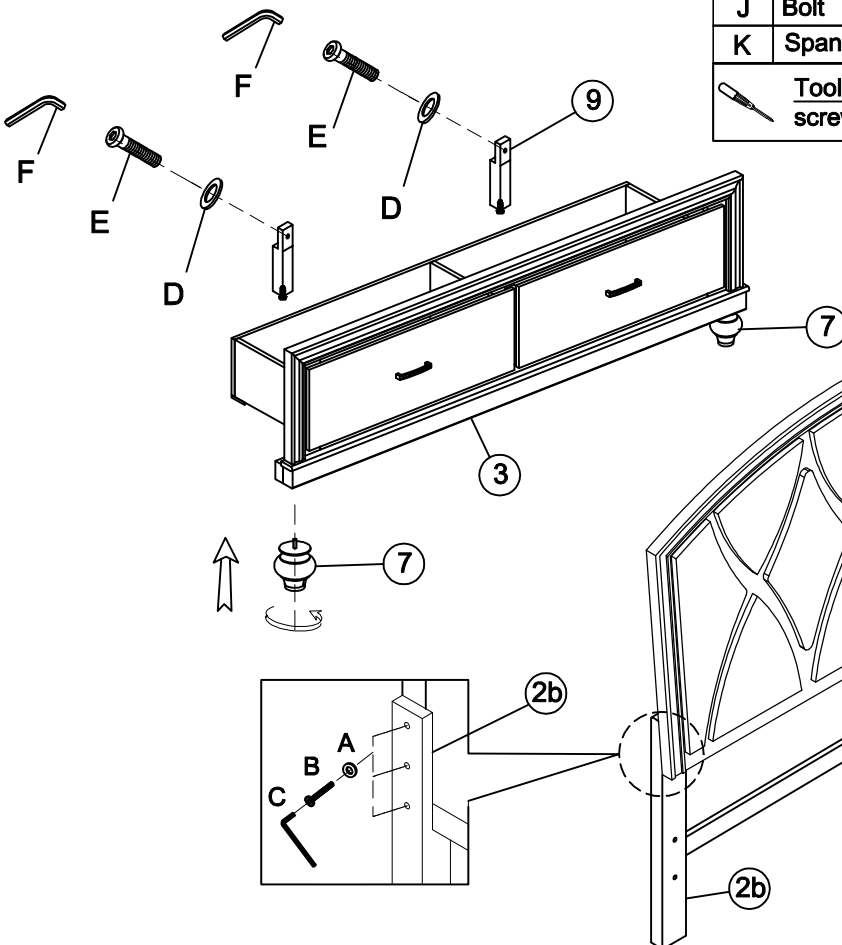
Thank you for purchasing this quality product. Be sure to check all packing material carefully for small Hardware which may have come loose inside the carton during shipment. Identify and count all hardware and compare with the hardware list below

! It is recommended to install protective pads under all legs and supports to avoid damage or scratches when placing furniture on a wood floor or other hard surface, and to limit indentation and prevent discoloration if placing on carpet.

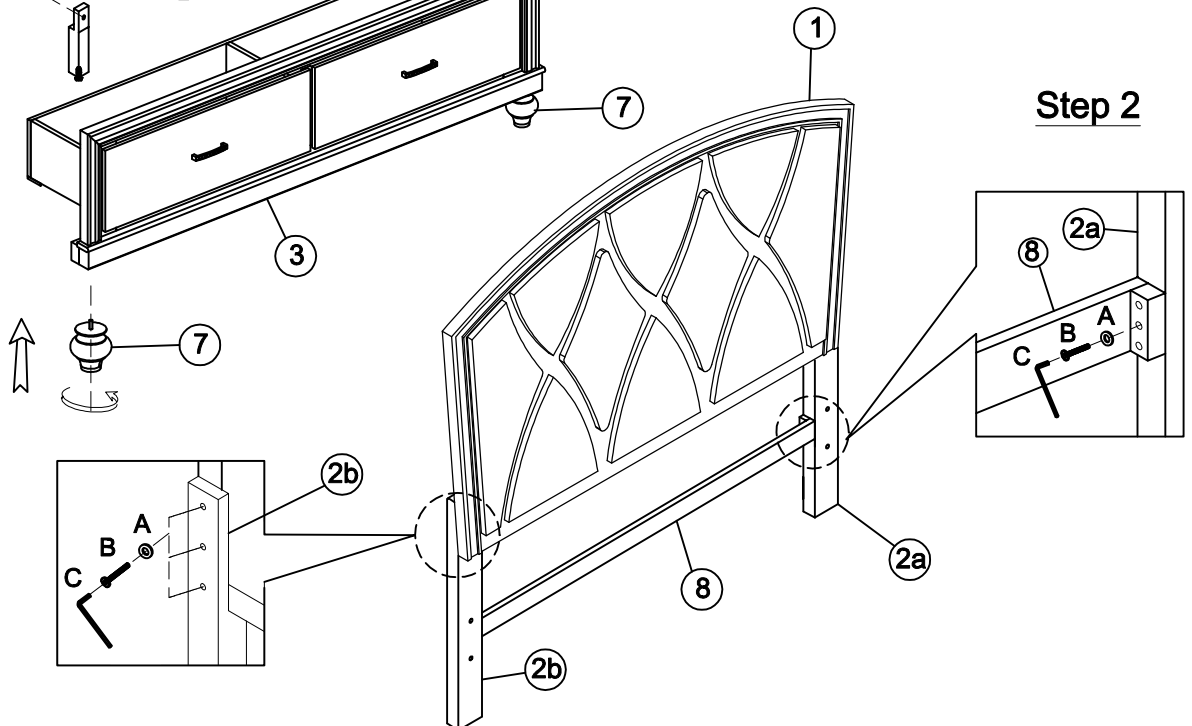
| Part List | | |
|-----------|-----------------------|--------|
| NO. | Description | Q'TY |
| 1 | Headboard | 1 PC |
| 2a | Headboard Post RSF | 1 PC |
| 2b | Headboard Post LSF | 1 PC |
| 3 | Footboard | 1 PC |
| 4 | Rails | 2 PCS |
| 5 | Slat Roll | 13 PCS |
| 6 | Slat supports | 5 PCS |
| 7 | Bun Foot | 2 PCS |
| 8 | Headboard support bar | 1 PC |
| 9 | Footboard support leg | 2 PCS |

| Hardware List In-K-1 | | | |
|---|---------------------|--------|--------|
| NO. | Description | Figure | Q'TY |
| A | Flat washer 5/16" | | 8 PCS |
| B | Bolt 5/16" x 45mm | | 8 PCS |
| C | Allen Key 60mm | | 1 PC |
| M | Plug with connector | | 1 PC |
| Hardware List In-K-2 | | | |
| NO. | Description | Figure | Q'TY |
| D | Flat washer 1/4" | | 2 PCS |
| E | Bolt 1/4" x 40mm | | 2 PCS |
| F | Allen Key 60mm | | 1 PC |
| G | Screw Ø4*30mm | | 26 PCS |
| Hardware List In - 3 | | | |
| NO. | Description | Figure | Q'TY |
| H | Bolt 5/16" x 80mm | | 8 PCS |
| I | Curved washer | | 8 PCS |
| J | Bolt | | 8 PCS |
| K | Spanner Wrench | | 1 PC |
| Tools Required: Please use a screwdriver for the screwdriver is not included | | | |

Step 1



Step 2



NOTE :

! DO NOT TIGHTEN BOLTS UNTIL COMPLETELY ASSEMBLED



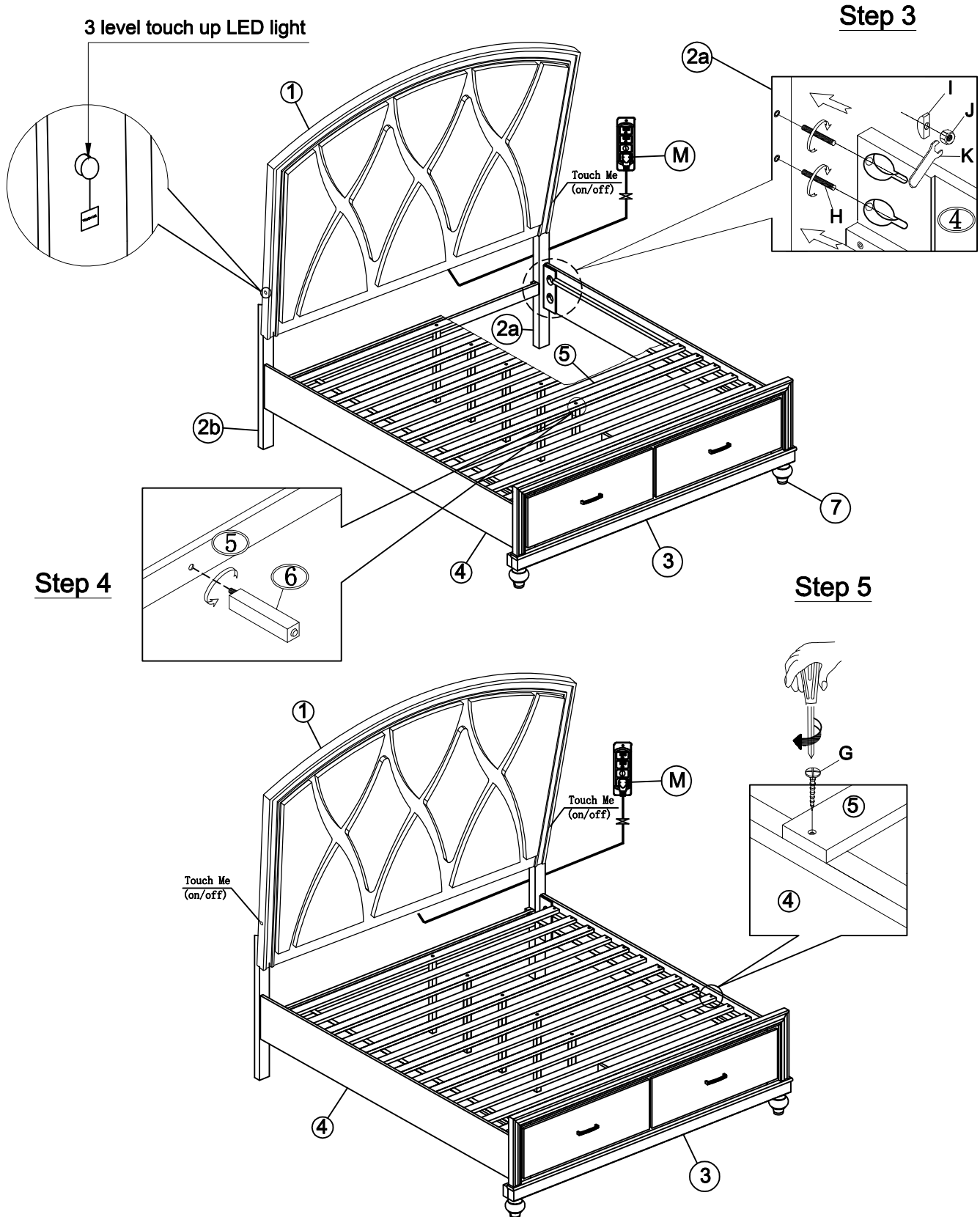
ASSEMBLY INSTRUCTION

Item No.:

1436W - 1 (1/3) Queen Headboard

1436W - 2 (2/3) Queen Footboard and slats

1436W - 3 (3/3) Eastern King/Queen Side Rails



NOTE :

DO NOT TIGHTEN BOLTS UNTIL COMPLETELY ASSEMBLED