



H O M E E L E G A N C E

ASSEMBLY INSTRUCTION INSTRUCTIONS D'ASSEMBLAGE

Item No : B1799-HF/RL/SL

Description : TWIN BUNK BED / LIT SUPERPOSÉ



IMPORTANT NOTE :

- Place all wooden parts on a clean and smooth surface such as a rug or carpet to avoid the parts from being scratched.
- Check to be sure that you have all parts and hardware.
- Remove all wrapping materials, including staples & packing straps before you start to assemble.
- Do not tighten all screws / bolts until all completely assembled.
- Keep all hardware parts out of reach of children.

UPPER & LOWER HEADBOARD & FOOTBOARD TETE DE LIT & PIED DE LIT DU HAUT

PART LIST LISTE DE PIÈCES		
NO	DESCRIPTION	QTY/PCS
1	UPPER HEADBOARD / TETE DU LIT DU HAUT	1 PC
2	UPPER FOOTBOARD / PIED DU LIT DU HAUT	1 PC
3	LOWER HEADBOARD / TETE DE LIT BAS	1 PC
4	LOWER FOOTBOARD / PIED DU LIT BAS	1 PC
5	UPPER SIDE RAIL / COTE DU LIT SUPERIEURE	2 PCS
6	LOWER SIDE RAIL / COTE DU LIT SUPERIEURE	2 PCS
7	SHORT GUARD RAIL / GARDE-CORPS COURT	1 PC
8	LONG GUARD RAIL / GARDE-CORPS LONGUE	1 PC
9	LADDER / ECHELLE	1 PC
10	SLAT / LATTES	2 SETS

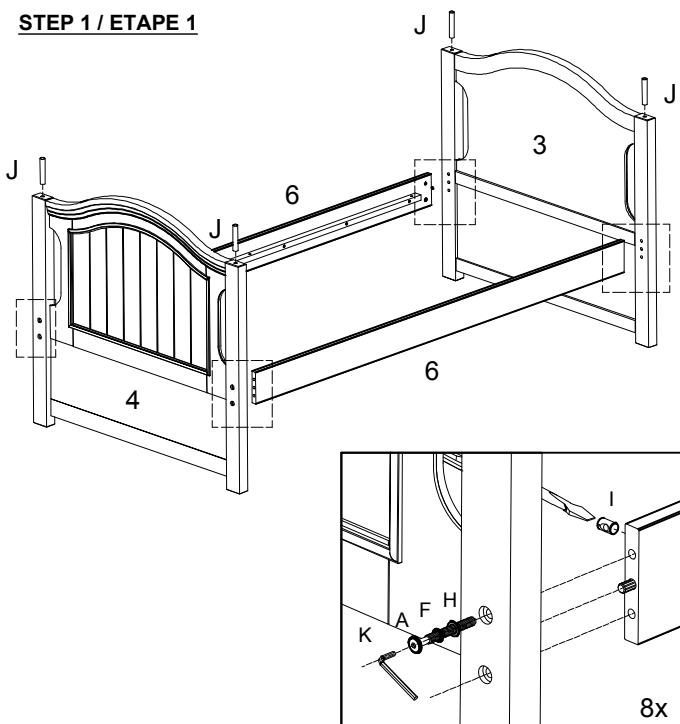
UPPER & LOWER HEADBOARD & FOOTBOARD TETE DE LIT & PIED DE LIT DU HAUT

HARDWARE LIST LISTE DE QUINCAILLERIE		
NO	DESCRIPTION	QTY/PCS
A	JCBB SCREW / BOULON M8 x 100	19 PCS
B	JCBB SCREW / BOULON M8 x 30	8 PCS
C	JCBC SCREW / BOULON M6 x 30	12 PCS
D	CSK SCREW / VIS M4 x 32	40 PCS
E	CSK SCREW / VIS M4 x 16	2 PCS
F	SPRING WASHER / RONDELLE D'ARRET M8	27 PCS
G	SPRING WASHER / RONDELLE D'ARRET M6	12 PCS
H	FLAT WASHER / RONDELLE PLATE M8	27 PCS
I	BARREL NUT / DOIGTS EN TRAVERS	19 PCS
J	METAL ROD	4 PCS
K	ALLEN KEY / CLE' ALLEN M5	1 PC
L	ALLEN KEY / CLE' ALLEN M4	1 PC

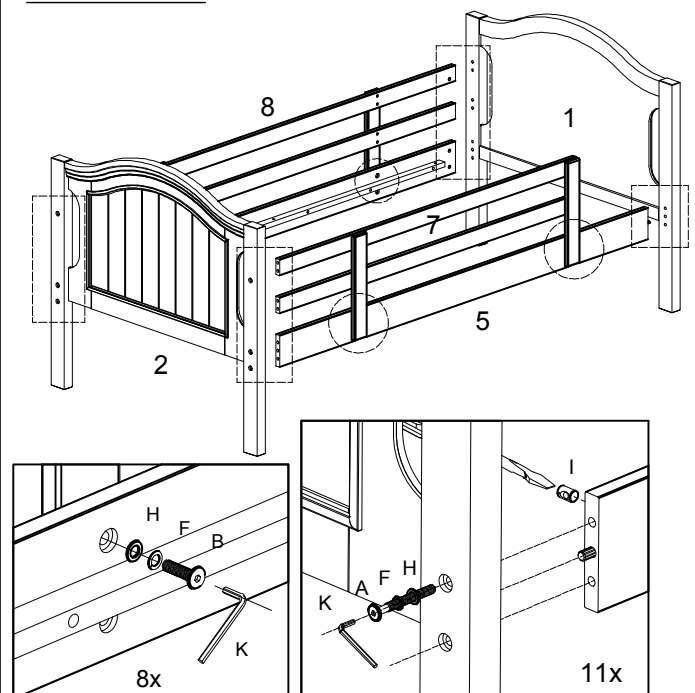
*HARDWARE SET IS IN B1799-RL FOR ASSEMBLY

NOTE : YOU WILL ALSO NEED A PHILIP SCREWDRIVER (NOT PROVIDED)

STEP 1 / ETAPE 1



STEP 2 / ETAPE 2





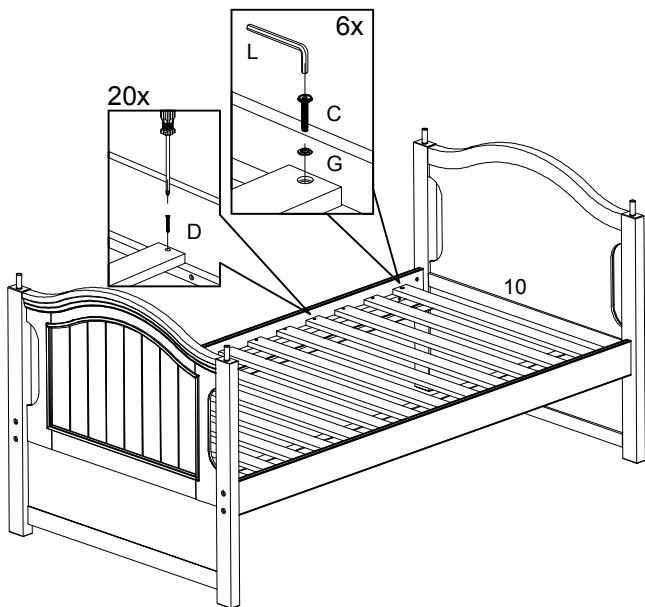
H O M E E L E G A N C E

ASSEMBLY INSTRUCTION INSTRUCTIONS D'ASSEMBLAGE

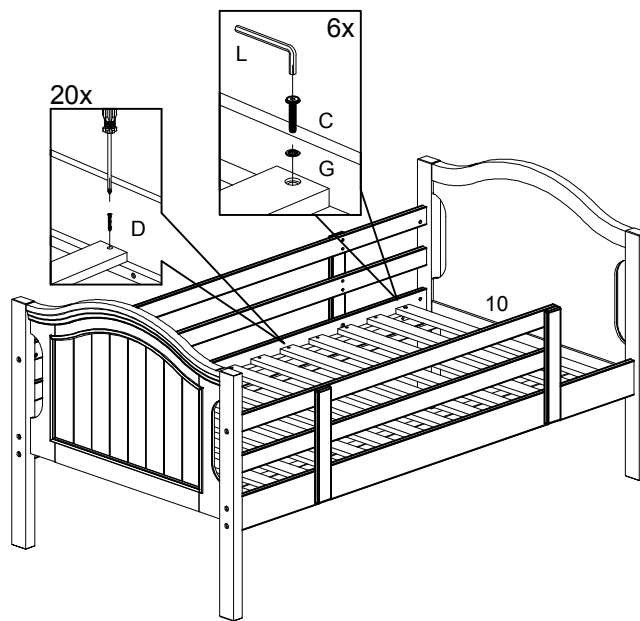
Item No : B1799-HF/RL/SL

Description : TWIN BUNK BED / LIT SUPERPOSÉ

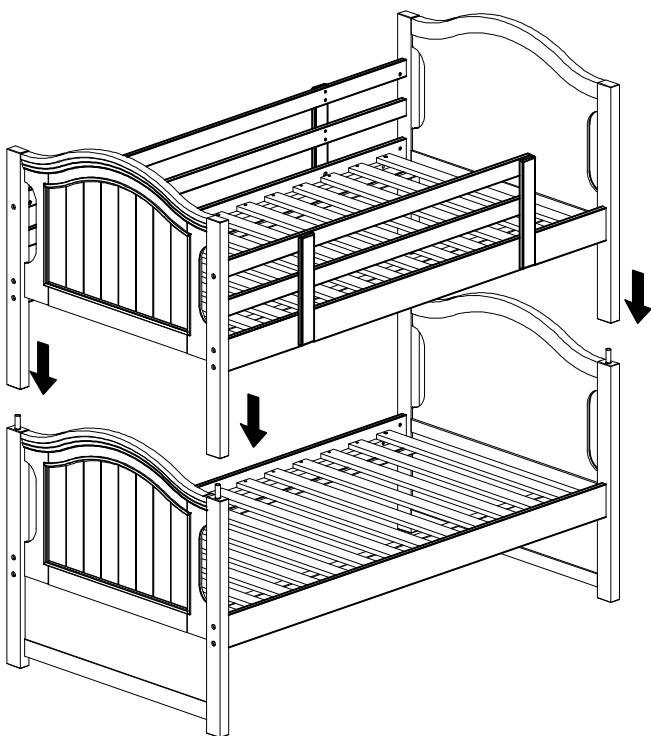
STEP 3 / ETAPE 3



STEP 4 / ETAPE 4



STEP 5 / ETAPE 5



STEP 6 / ETAPE 6

