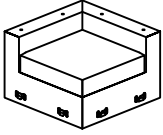










ASSEMBLY INSTRUCTION

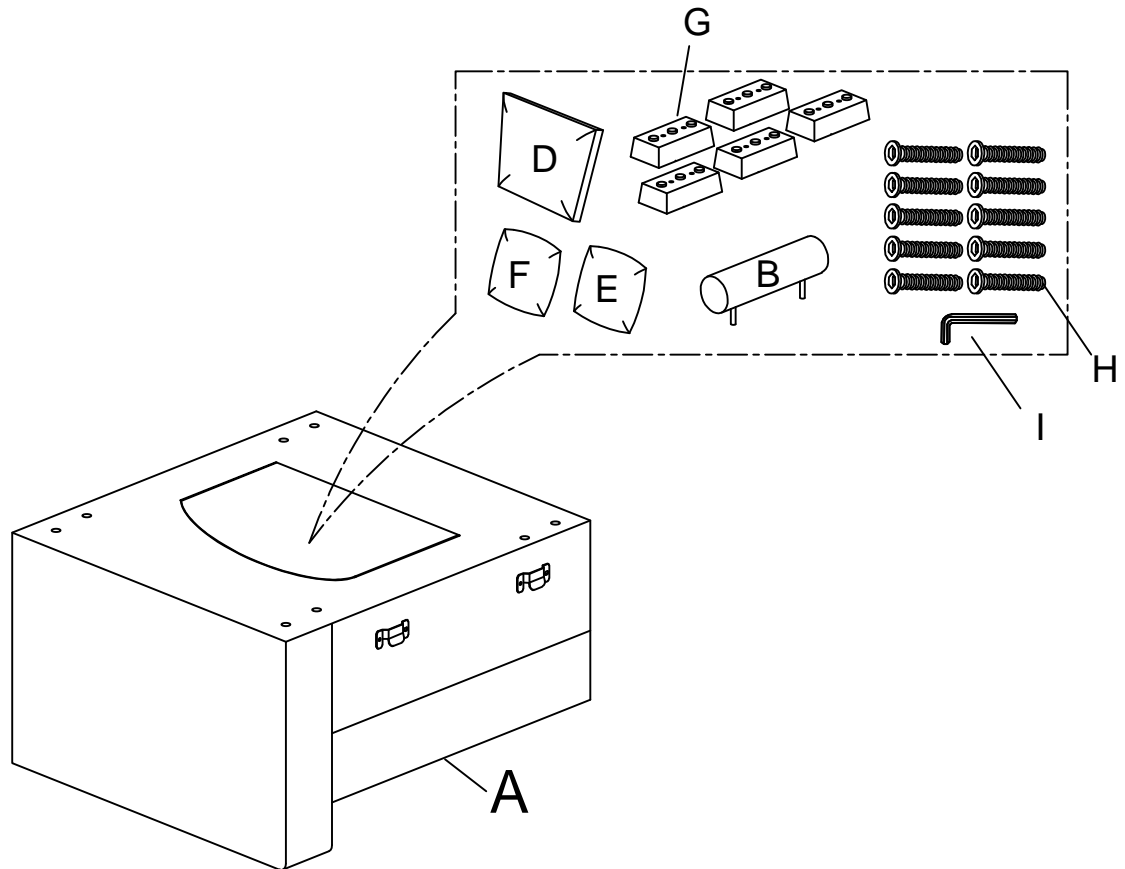
ITEM NO: 9624GY-CR/9624BU-CR/9624TP-CR
 Corner seat, 2 pillows

LEGS, HARDWARE, HEADREST, PILLOW, PILLOW GEOMETRIC AND BACK CUSHION ARE STORED IN THE BOTTOM OF THE SEAT, PLEASE TAKE OUT FOR ASSEMBLY.

NO.	PARTS LIST	QTY	DESCRIPTION
A		1	SEAT FRAME
B		2	HEADREST
C		1	LSF BACK CUSHION
D		1	RSF BACK CUSHION
E	 21"*21"	1	PILLOW BU/GY
F	 21"*21"	1	PILLOW BU/GY GEOMETRIC

NO.	HARDWARE LIST	QTY	DESCRIPTION
G	 248*100*45mm	4	WOODEN LEGS
H	 M8*50mm	8	ALLEN BOLT
I	 M5*100*38mm	1	ALLEN KEY

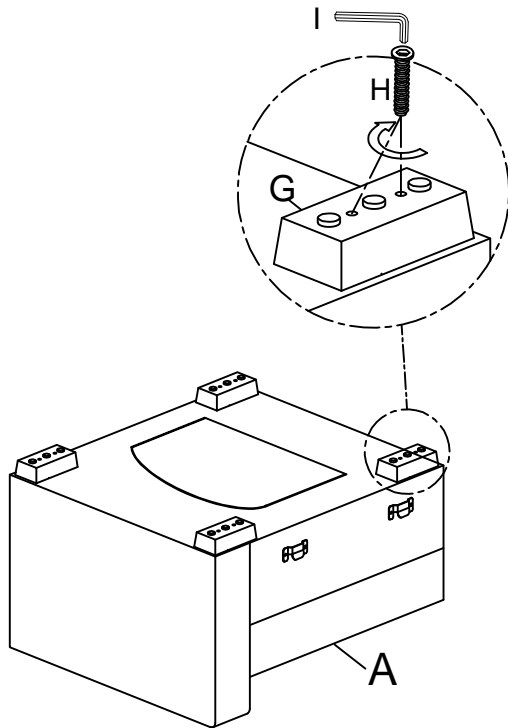
STEP # 1:



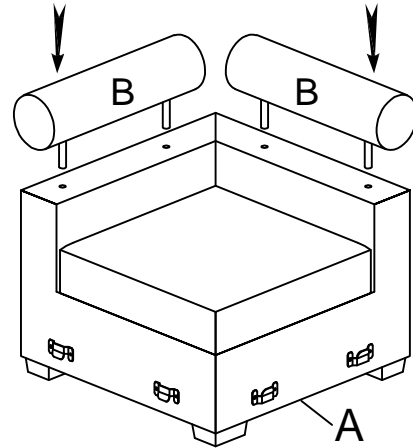
ASSEMBLY INSTRUCTION

ITEM NO: 9624GY-CR/9624BU-CR/9624TP-CR
 Corner seat, 2 pillows

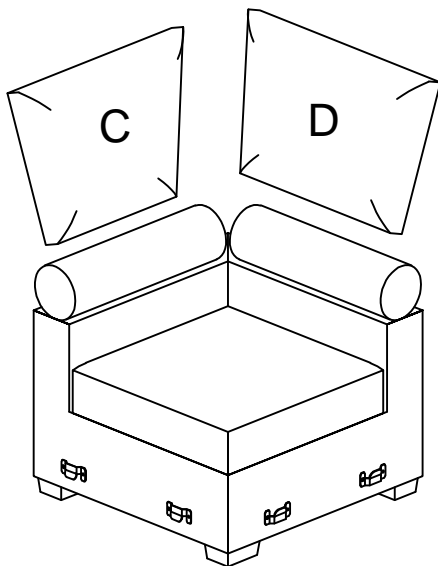
STEP # 2:



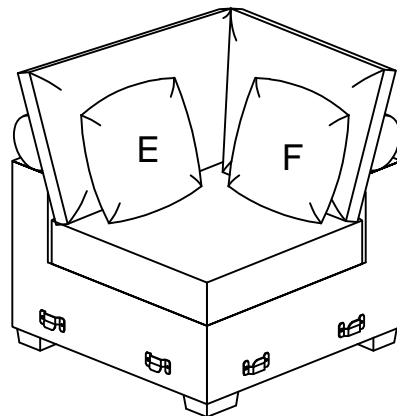
STEP # 3:



STEP # 4:



STEP # 5:



CARE INSTRUCTION FOR FABRIC FURNITURE

In order to maintain the original appearance of your fabric furniture, please follow below simple care procedures.

°Avoid exposing furniture directly to sunlight or heating and air conditioning outlets. Exposure to sunlight or heating and air conditioning outlets will fade/damage fabric.

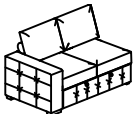
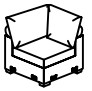

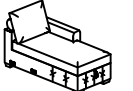
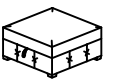
°Wipe gently with a damp soft cloth to remove dust, dirt and any grime build up.

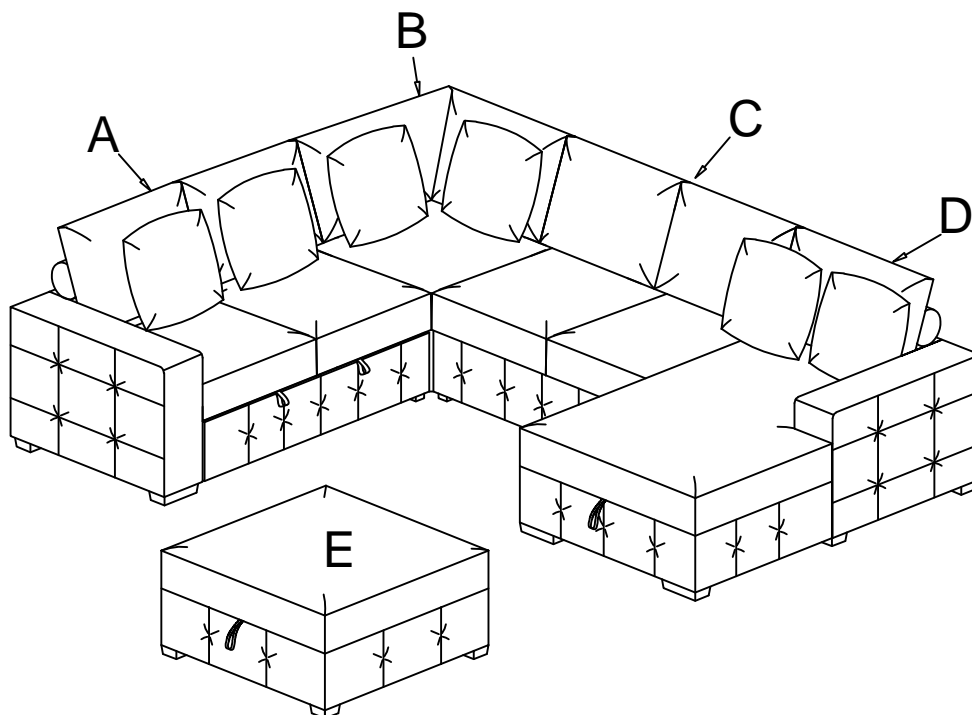


HOME ELEGANCE

ASSEMBLY INSTRUCTION

LEGS, HARDWARE, HEADREST, PILLOW, PILLOW GEOMETRIC AND BACK CUSHION ARE STORED IN THE BOTTOM OF THE SEAT, PLEASE TAKE OUT FOR ASSEMBLY.

NO.	PARTS LIST	QTY	DESCRIPTION
A		1	9624GY-2L/9624BU-2L/9624TP-2L
B		1	9624GY-CR/9624BU-CR/9624TP-CR
C		1	9624GY-2A/9624BU-2A/9624TP-2A
D		1	9624GY-RC/9624BU-RC/9624TP-RC
E		1	9624GY-4/9624BU-4/9624TP-4



CARE INSTRUCTION FOR FABRIC FURNITURE

In order to maintain the original appearance of your fabric furniture, please follow below simple care procedures.

°Avoid exposing furniture directly to sunlight or heating and air conditioning outlets. Exposure to sunlight or heating and air conditioning outlets will fade/damage fabric.

°Wipe gently with a damp soft cloth to remove dust, dirt and any grime build up.