



# Assembly Instruction

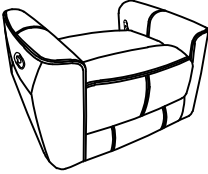
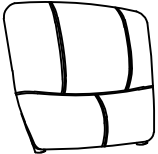
ITEM NO.: 9602GY/NCH-1  
Rocker Reclining Chair



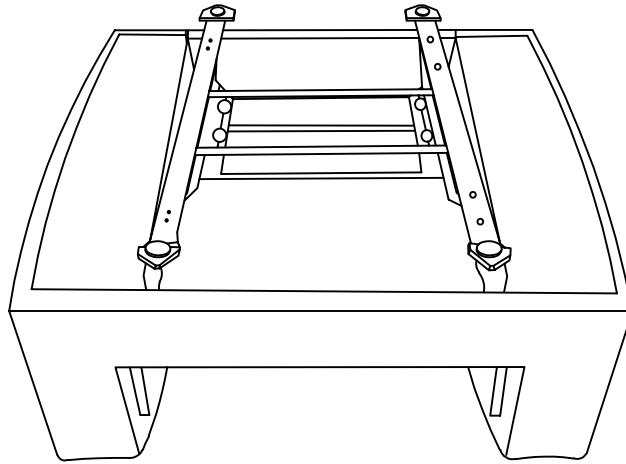
**Back Rest** are stored at the bottom of chair, please take out **it for** assembly hardware for assembly.

Note: Do not use power tools for assembly. Power tools increase the risk of over tightening which lead to spliting or cracking the wood.

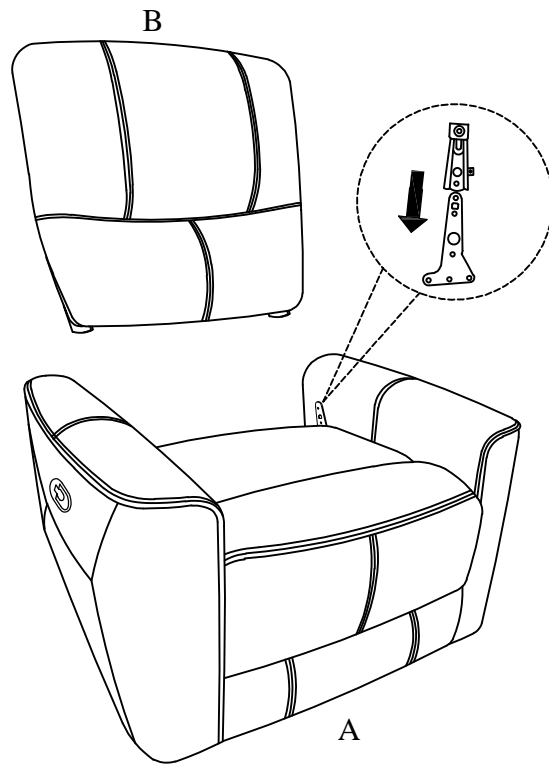
## Component list

No	Drawing	Qty	Description
A		1	SEAT
B		1	BACK REST

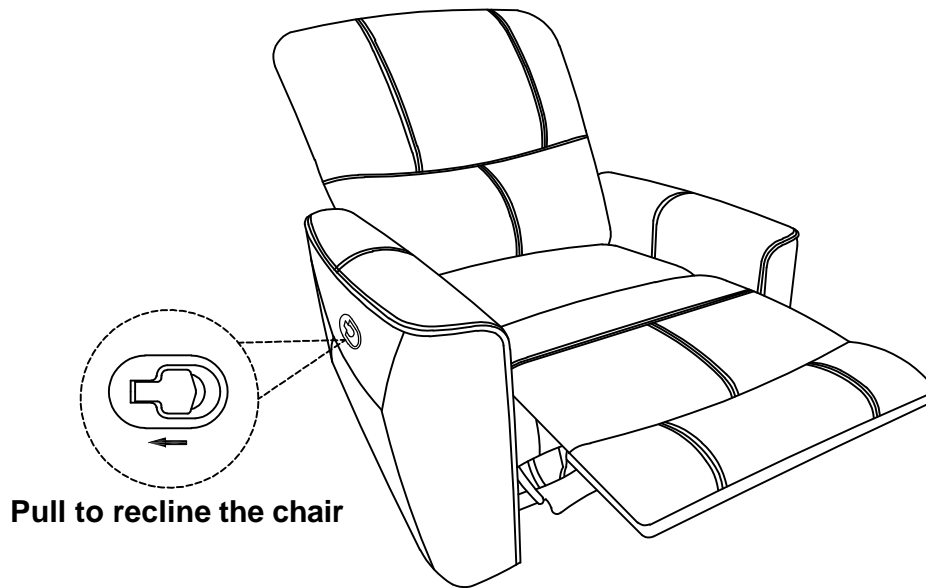
Step #1



Step #2



### Step #3



## Care Instruction for Polished microfiber Furniture:

In order to maintain the original appearance of your polished microfiber Furniture, please follow below simple care procedures:

- Avoid exposing furniture directly to sunlight or heating and air conditioning outlets. Sunlight and or exposure to heating and air conditioning outlets will fade/damage PU fabric.
- Vacuum or wipe with a soft cloth to remove dust.



For items use on wooden floor, hard surfaces or carpets, it is recommended to Install protective pads under all legs and supports to avoid/prevent from damages/scratches and discoloration.