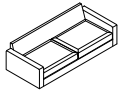
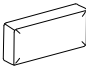


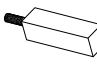


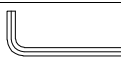


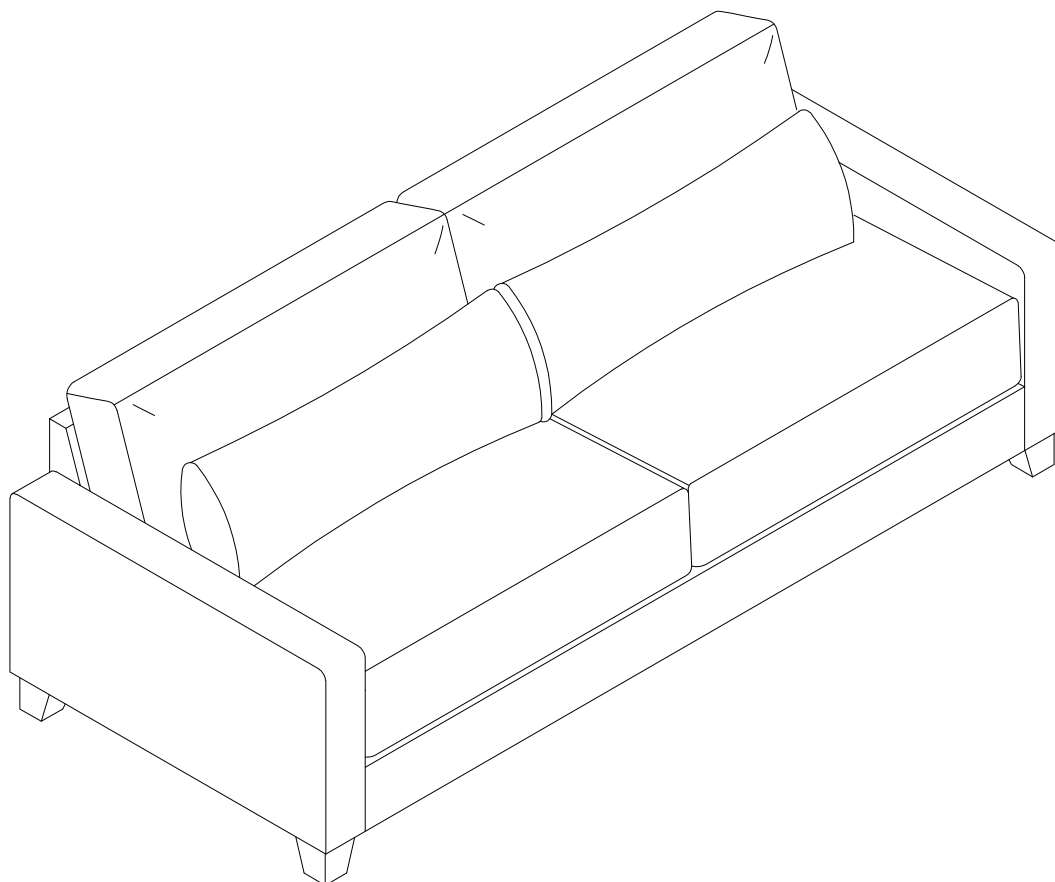
# ASSEMBLY INSTRUCTION

ITEM NO: 9490BE - 3 SOFA

LEGS AND HARDWARE ARE STORED IN THE BOTTOM OF THE SEAT, PLEASE TAKE OUT FOR ASSEMBLY.

NO.	PARTS LIST	QTY	DESCRIPTION
A		1	SOFA
B	 39-1/2"*17-1/4"	2	BACK CUSHION
C	 35-3/4"*11-3/4"	2	PILLOW

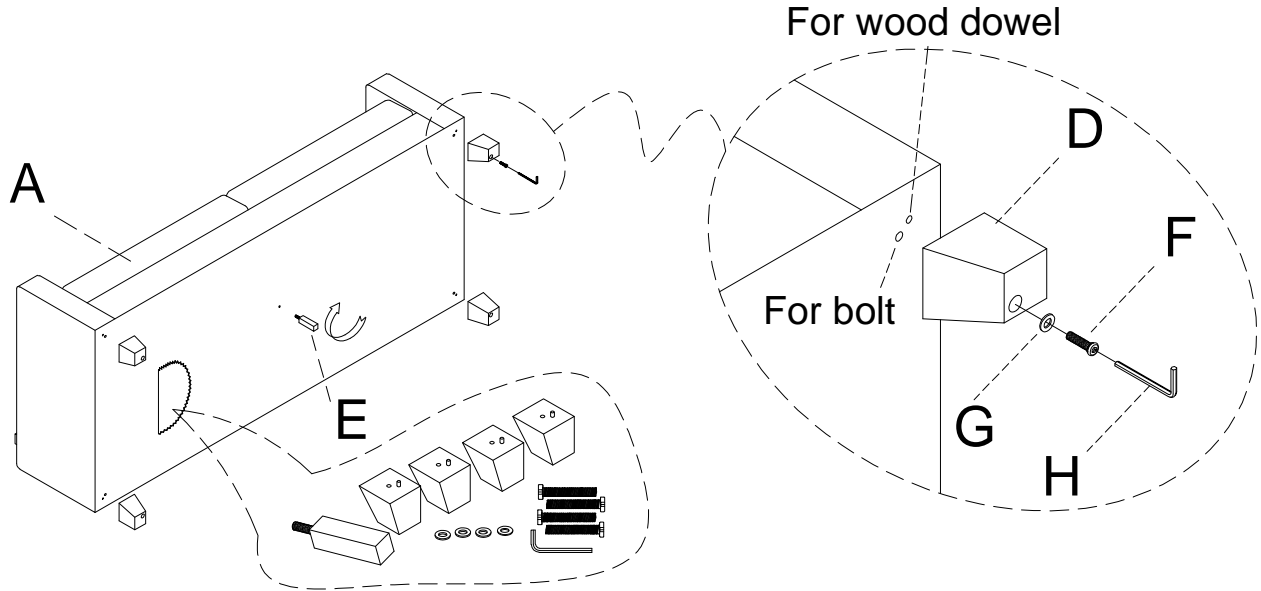
NO.	PARTS LIST	QTY	DESCRIPTION
D	 3-3/4"*3-3/4"*3-3/4"	4	WOODEN LEG
E	 1-1/2"*1-1/2"*3-1/2"	1	WOODEN SUPPORT LEG
F	 M8*75MM	4	ALLEN BOLT
G	 Φ8.5*16*1.5MM	4	FLAT WASHER
H	 M5*100*38MM	1	ALLEN KEY



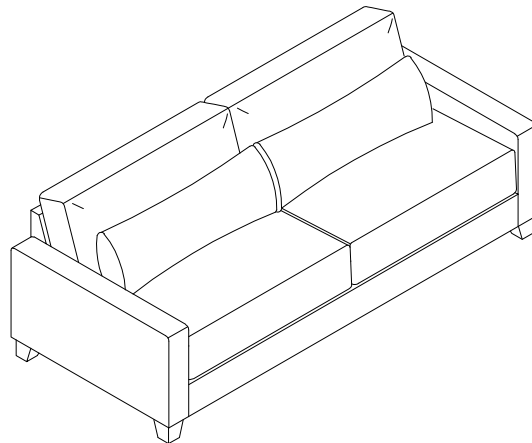
# ASSEMBLY INSTRUCTION

ITEM NO: 9490BE - 3 SOFA

## STEP # 1



## STEP 2 (Completed) :



### CARE INSTRUCTION FOR FABRIC FURNITURE

In order to maintain the original appearance of your fabric furniture, please follow below simple care procedures.

°Avoid exposing furniture directly to sunlight or heating and air conditioning outlets. Exposure to sunlight or heating and air conditioning outlets will fade/damage fabric.

°Wipe gently with a damp soft cloth to remove dust, dirt and any grime build up.