

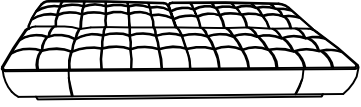
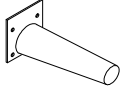
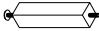



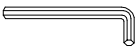
ASSEMBLING INSTRUCTIONS

ITEM NO: 9435RF-3WD

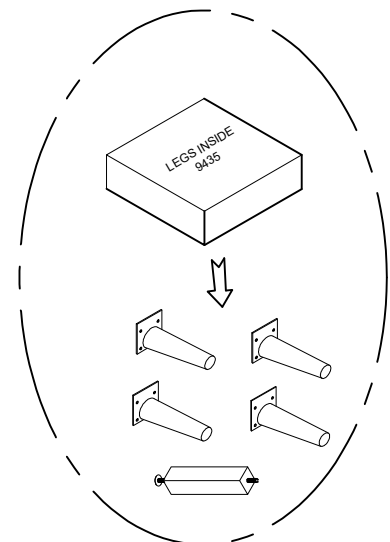
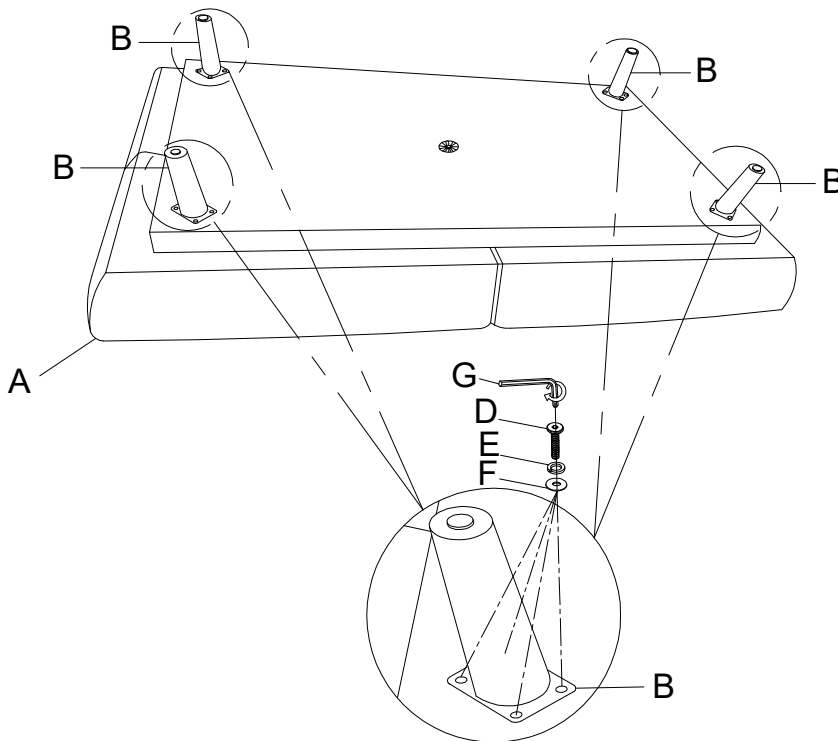
ELEGANT LOUNGER

▲ Hardware and legs stored in the box ,please take out of assembly .
 It is recommended to install protective pads under all legs and supports to avoid damage or scratches when placing furniture on a wood floor or other hard surface, and to limit indentation and prevent discoloration if placing on carpet.

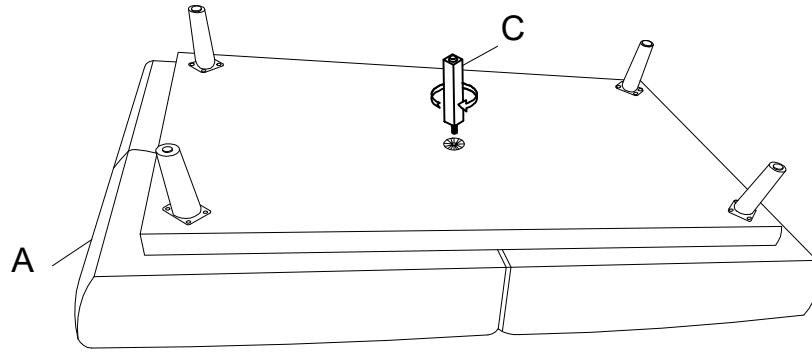
PARTS LIST

NO.	DRAWING	QTY	DESCRIPTION
A		1 PC	SEAT
B		4 PCS	WOODEN LEG
C		1 PC	SUPPORT LEG
D		16 PCS	BOLT Ø1/4"*32mm
E		16 PCS	SPRING WASHER Ø1/4"
F		16 PCS	FLAT WASHER Ø1/4"*19mm
G		1 PC	ALLEN KEY 4mm*60mm

STEP 1:

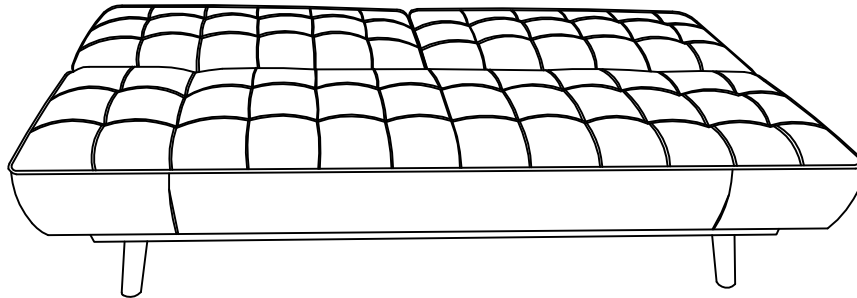


STEP 2:

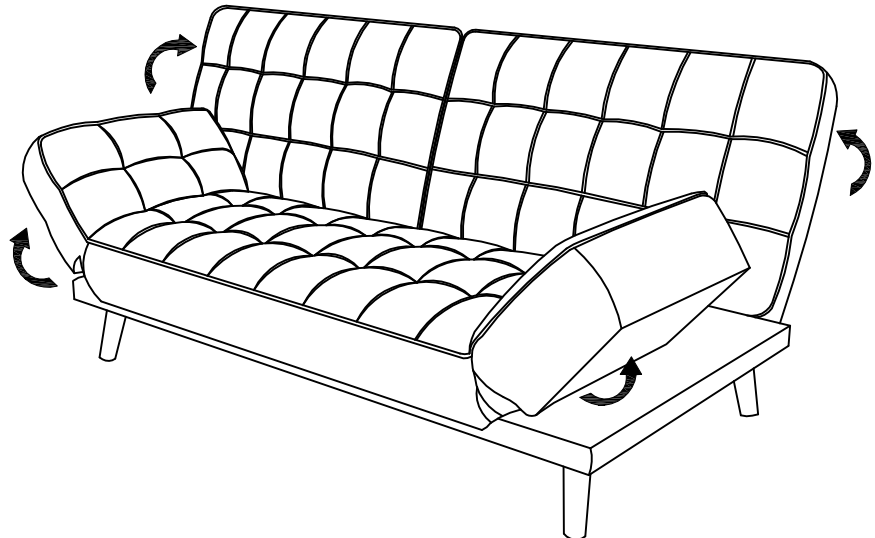


STEP 3: COMPLETED

Push arm and back rest forward fully then pull down slowly to flat position as a bed.



Lift up the arm and back rest to adjust the angle as a lounger.



CARE INTRUCTION FOR CHENILLE FURNITURE

In order to maintain the original appearance of your Chenille furniture, please follow below care procedures:

- Avoid exposing furniture directly to sunlight or heating and air conditioning outlets. Sunlight and/or exposure to heating and air conditioning outlets will fade/damage Chenille.
- Do not place your Chenille furniture too close to windows, radiators, or vents and be sure to use window, radiators, or vents.
- Vacuum or wipe with a soft brush to remove dust.
- For items used on wooden floor, hard surfaces or carpets, it is recommended to install protective pads
- under all legs supports to avoid/prevent from damages/scratches discoloration.