



Assembly Instruction

ITEM NO.: 8549BRW-1

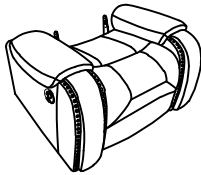


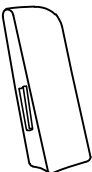
Swivel Glider Reclining Chair



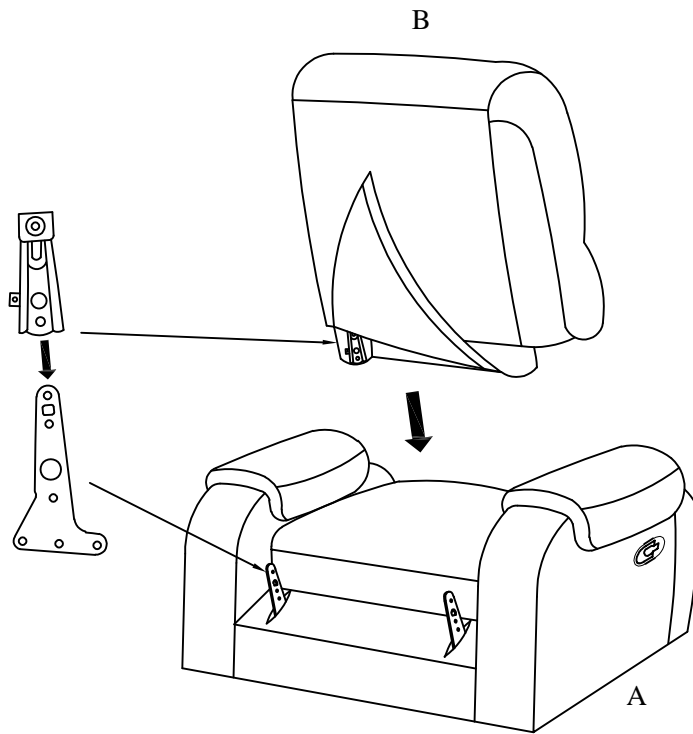
Wings are stored at the bottom of Chair, please take out for assembly.

Note: Do not use power tools for assembly. Power tools increase the risk of over tightening which lead to splitting or cracking the wood.

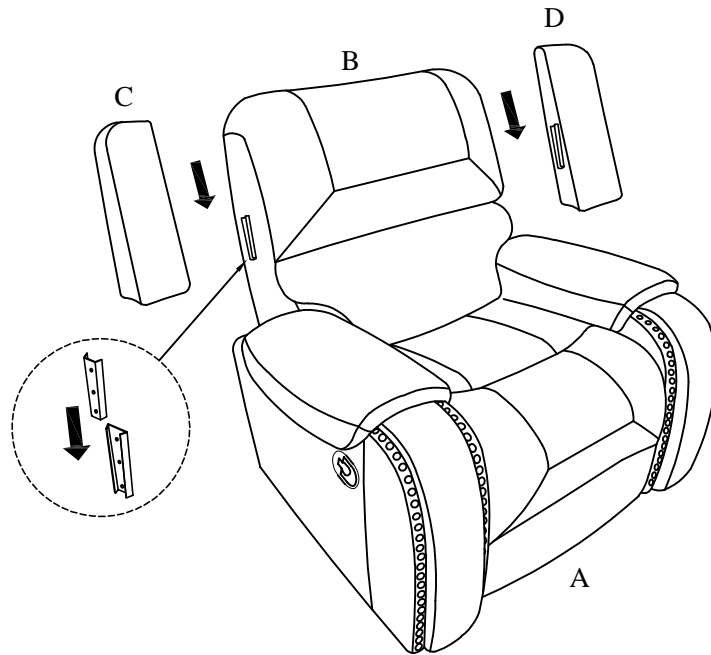
Component list

No	Drawing	Qty	Description
A		1	SEAT
B		1	BACK REST
C		1	LSF WING
D		1	RSF WING

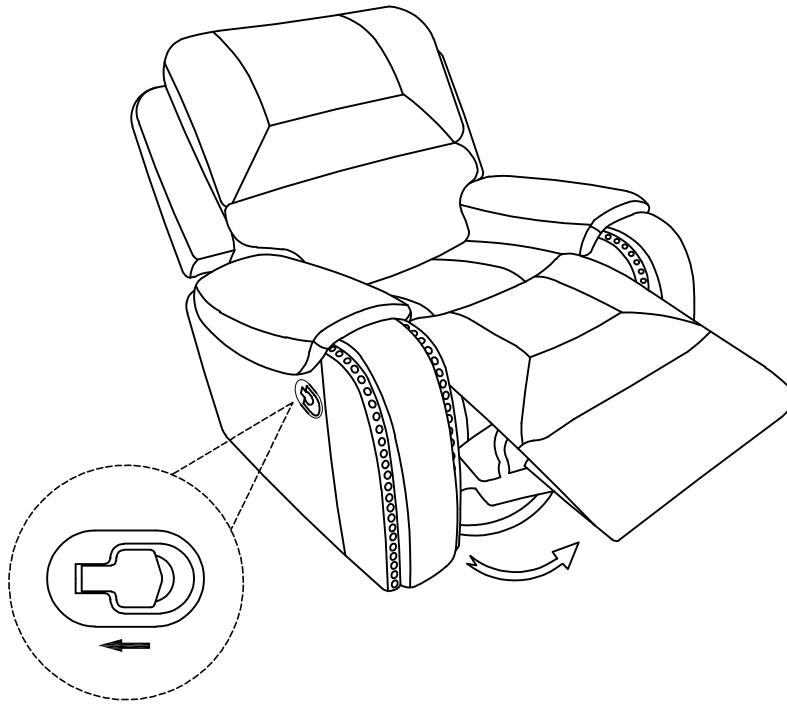
Step #1



Step #2



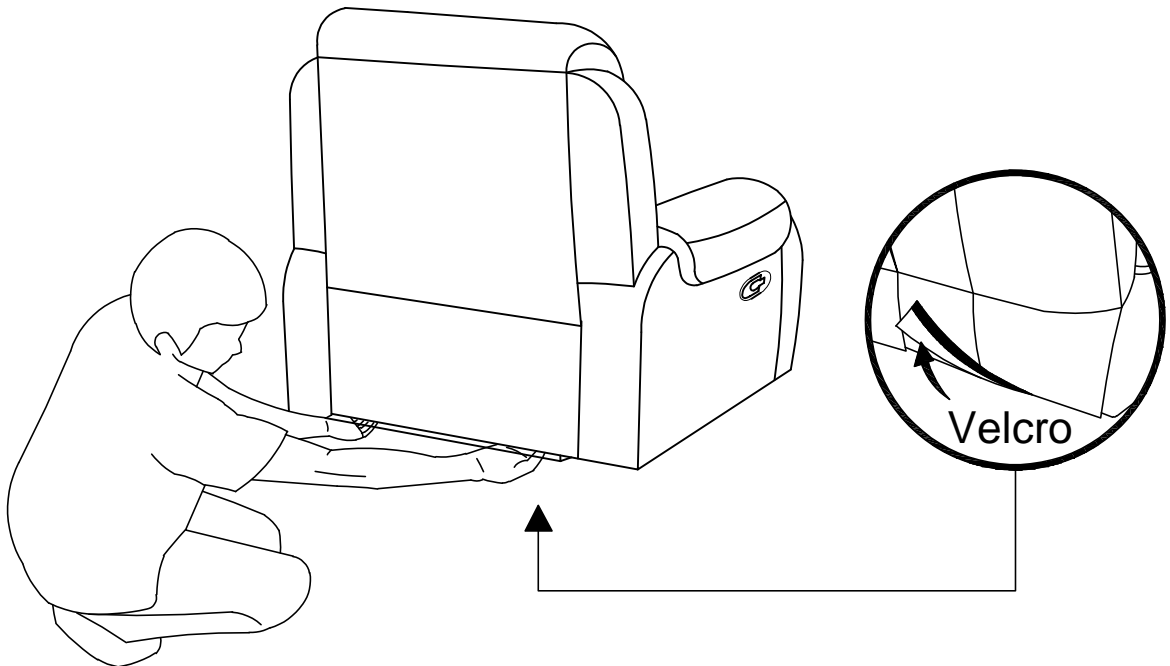
Step #3



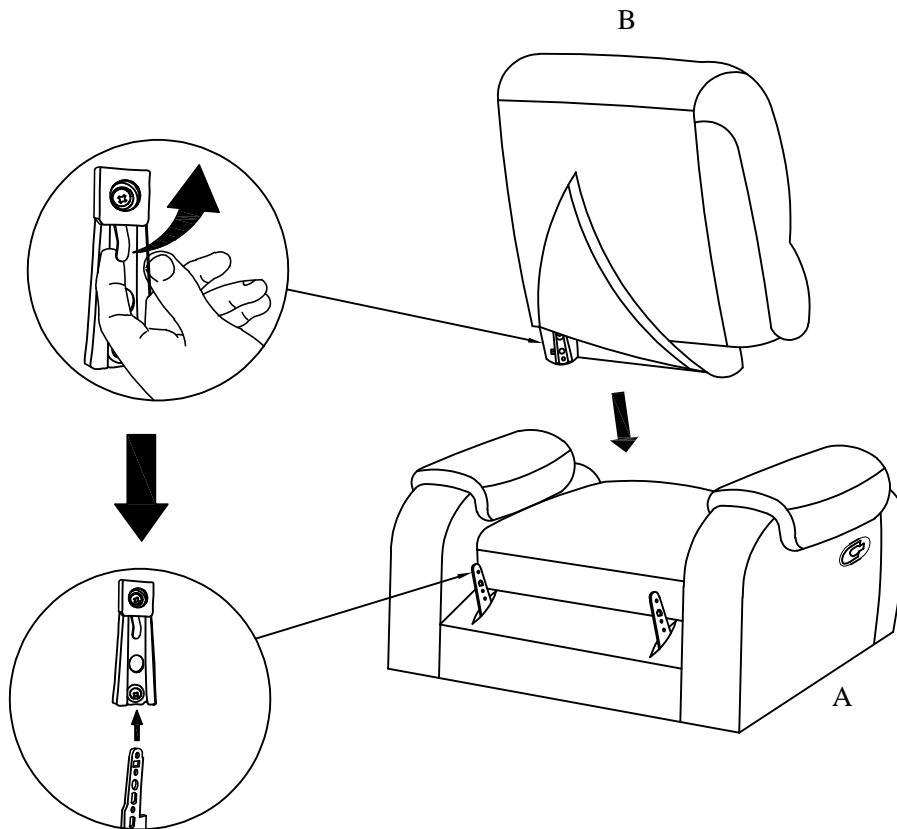
Pull to recline the chair

Disassemble the back

Step #1 Back Rest remove



Step #2 To unlock the back of the recliner from its base, push up on the small metal hook built into the side of the recliner



Care Instruction for Leather Air Furniture:

In order to maintain the original appearance of your Leather Air Furniture, please follow below simple care procedures:

- Avoid exposing furniture directly to sunlight or heating and air conditioning outlets. Sunlight and or exposure to heating and air conditioning outlets will fade/damage Leather Air.
- Vacuum or wipe with a soft cloth to remove dust.
- Hardware may loosen over time. Periodically check to make sure all connection are tight, Re-tighten if necessary.



For items use on wooden floor, hard surfaces or carpets, it is recommended to Install protective pads under all legs and supports to avoid/prevent from damages/scratches and discoloration.