



# Assembly Instruction

ITEM NO.: 8517BRW/GRY-3

Double Reclining Sofa



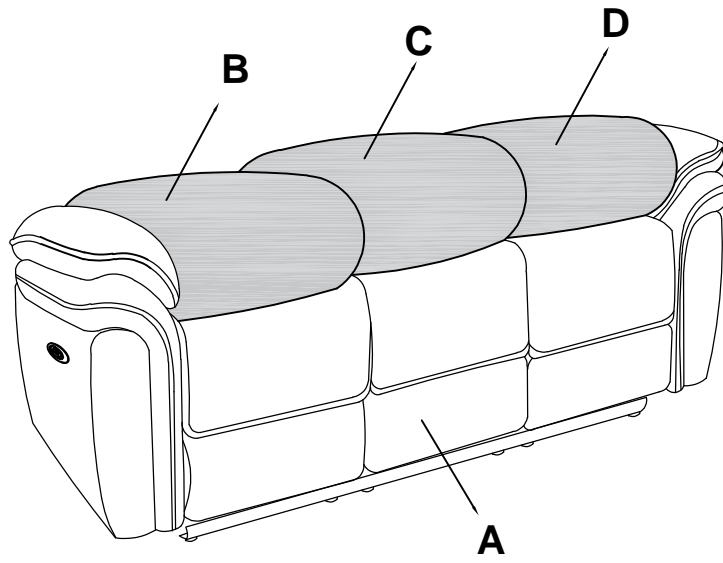
Hardware are stored at the bottom of sofa, please take out it for assembly hardware for assembly.

Note: Do not use power tools for assembly. Power tools increase the risk of over tightening which lead to splitting or cracking the wood.

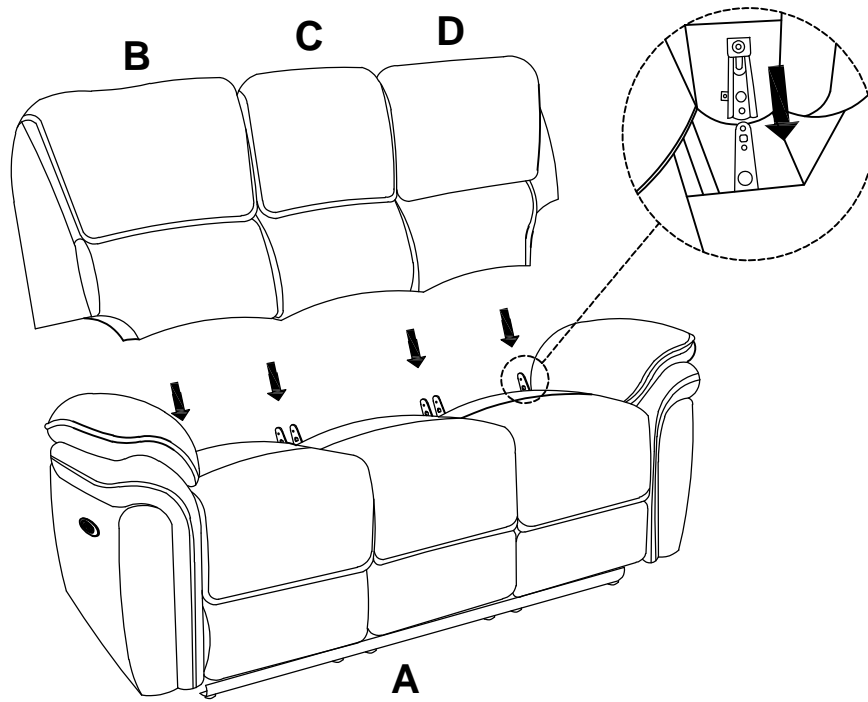
## Component list

No	Drawing	Qty	Description
<b>A</b>	A line drawing of a sofa seat component, showing the front and side views of the seat cushion and base.	<b>1</b>	<b>SEAT</b>
<b>B</b>	A line drawing of a large, rectangular back rest component with a curved top edge.	<b>1</b>	<b>LSF BACK REST</b>
<b>C</b>	A line drawing of a smaller, rectangular back rest component with a curved top edge.	<b>1</b>	<b>MIDDLE BACK REST</b>
<b>D</b>	A line drawing of a rectangular back rest component with a curved top edge, similar in shape to the middle back rest but slightly different in proportions.	<b>1</b>	<b>RSF BACK REST</b>

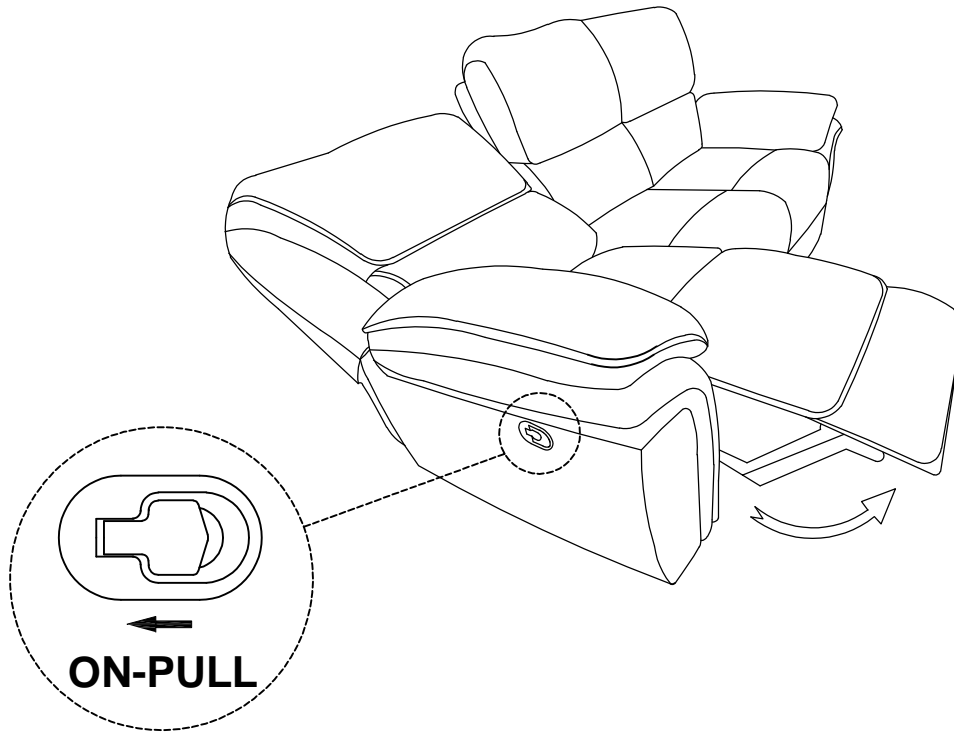
Step #1



Step #2



### Step #3



### Care Instruction for Polished Microfiber Fabric Furniture:

In order to maintain the original appearance of your Polished Microfiber Fabric Furniture, please follow below simple care procedures:

- Avoid exposing furniture directly to sunlight or heating and air conditioning outlets. Sunlight and or exposure to heating and air conditioning outlets will fade/damage Polished Microfiber Fabric.
- Vacuum or wipe with a soft cloth to remove dust.



For items use on wooden floor, hard surfaces or carpets, it is recommended to Install protective pads under all legs and supports to avoid/prevent from damages/scratches and discoloration.