




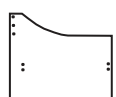


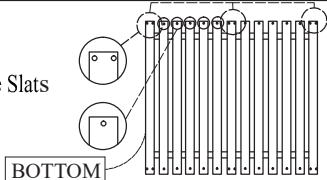
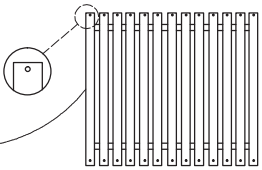
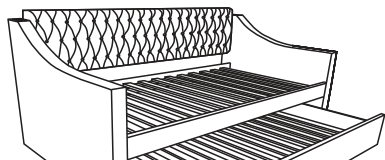














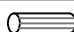
4866DG-A : Daybed (1/2) Side Arms & Trundle Side Panels & Slats  
 4866DG-B : Daybed (2/2) Back, Trundle, Rails

Thank you for purchasing this product. Please take time to read and follow the instructions below. Check that you have all parts and hardware before assembly. Parts apparently missing are often found in the packing materials. If you do not have all the parts listed, have your dealer contact us and they will be sent to you immediately.

 It is recommended to install protective pads under all legs and supports to avoid damage or scratches when placing furniture on a wood

DAYBED PARTS LIST				TRUNDLE PARTS LIST			
1.	Daybed Back Panel		1 pc	6.	Trundle Front Panel		1 pc
2.	LSF Side Panel		1 pc	7.	Trundle Side Panel		2 pcs
3.	RSF Side Panel		1 pc	8.	Trundle Back Panel		1 pc
4.	Daybed Side Rail		2 pcs	9.	Trundle Slats		13 pcs
5.	Daybed Slats		13 pcs				

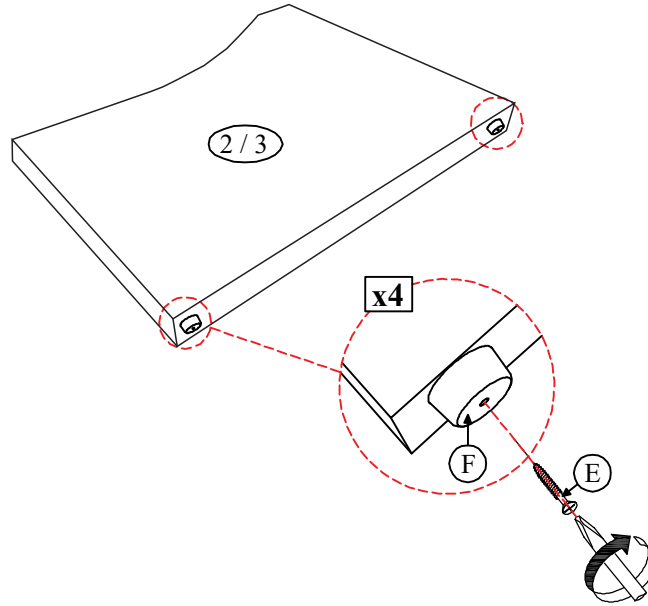
\*DO NOT TIGHTEN BOLTS UNTIL COMPLETELY ASSEMBLED.

HARDWARE LIST							
DAYBED				TRUNDLE			
A	JCBC Bolt M6 x 1.0 x 30mm		8 pcs	I	JCBC Bolt M6 x 1.0 x 30mm		20 pcs
B	JCBC Bolt M6 x 1.0 x 50mm		4 pcs	J	Flat Washer M6 x 6/8" x 2/8" x 0.04"		12 pcs
C	Flat Washer M6 x 6/8" x 2/8" x 0.08"		12 pcs	K	CSK Screw M4 x 1.80 x 25mm		20 pcs
D	CSK Screw M4 x 1.80 x 25mm		26 pcs	L	CSK Screw M4 x 1.80 x 16mm		16 pcs
E	CSK Screw M4 x 1.80 x 38mm		4 pcs	M	Castor		4 pcs
F	Bun Foot		4 pcs	*HARDWARE ARE PACKED IN 4866DG-A. BUN FOOT AND HARDWARE SET ARE STORE IN 4866DG-A*			
G	Allen Key M4 x 100mm		1 pc				
H	Wood Dowel M10 x 30mm		2 pcs				

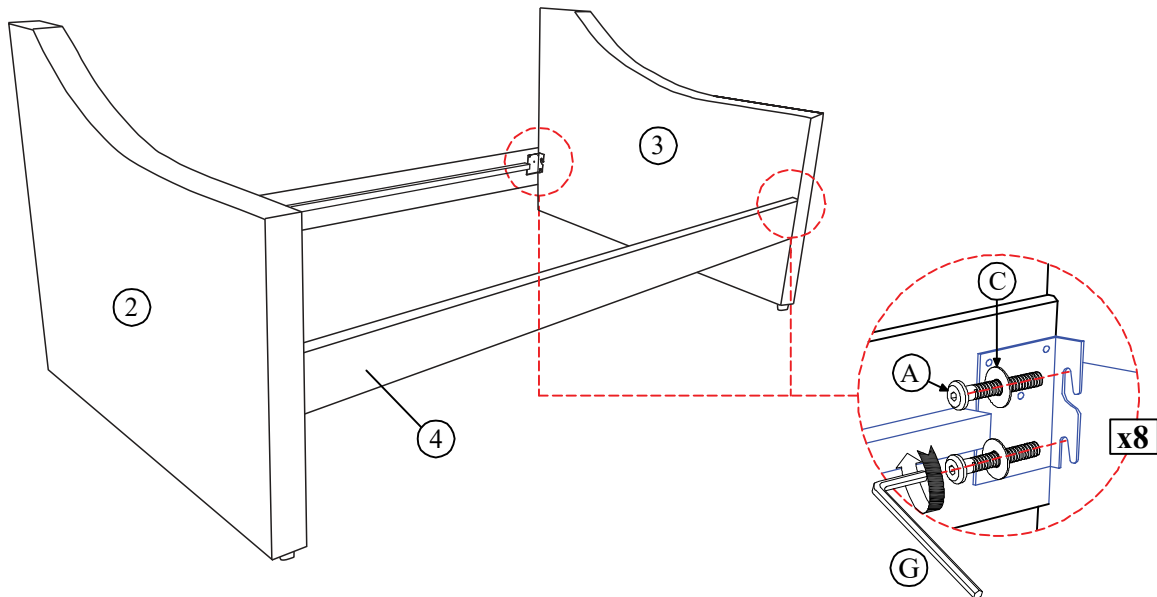
DO NOT TIGHTEN BOLTS UNTIL COMPLETELY ASSEMBLED

# DAYBED

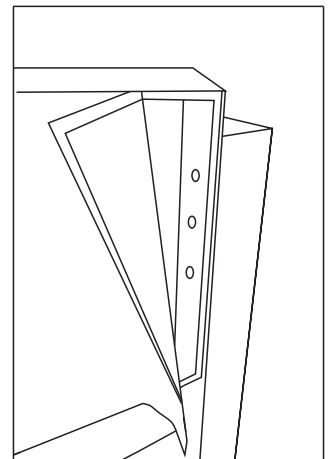
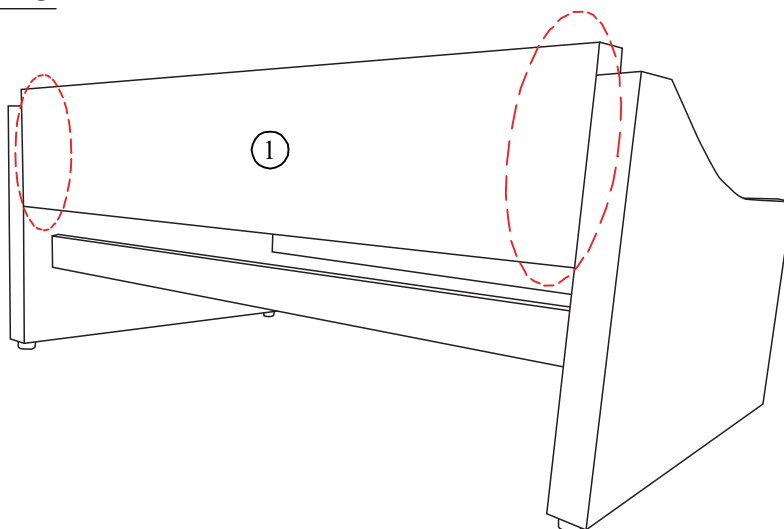
## STEP 1



## STEP 2

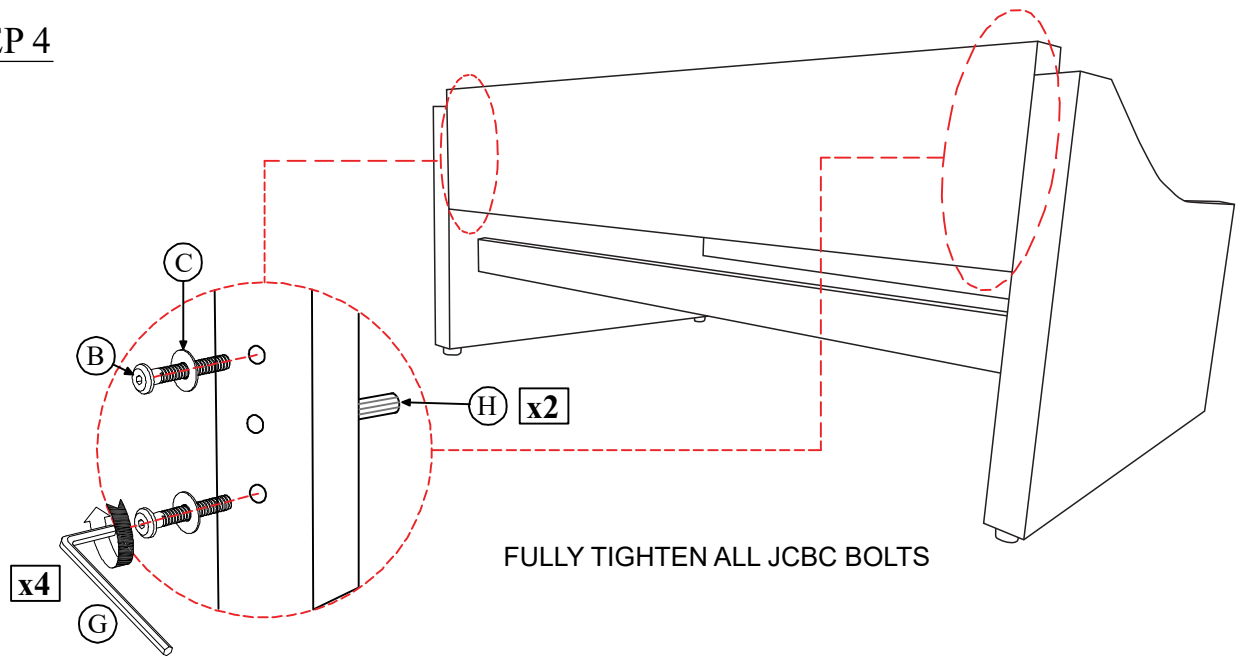


## STEP 3

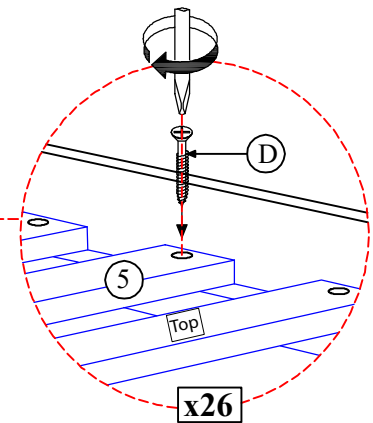
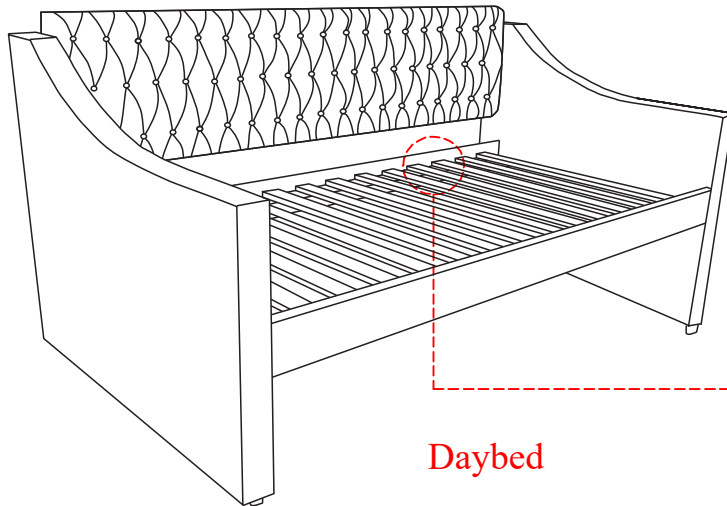


Remove the non woven behind the Back Panel

## STEP 4

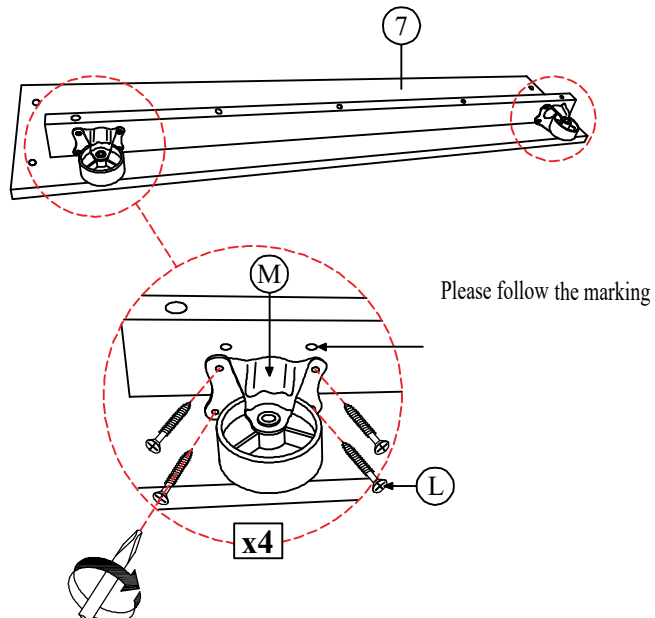


## STEP 5

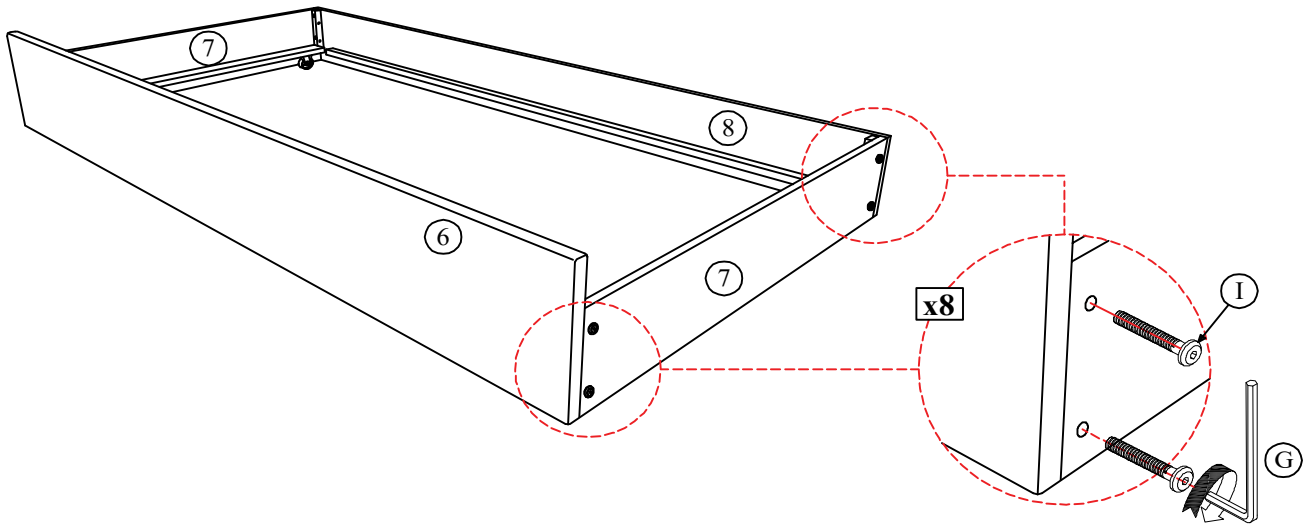


## TRUNDLE

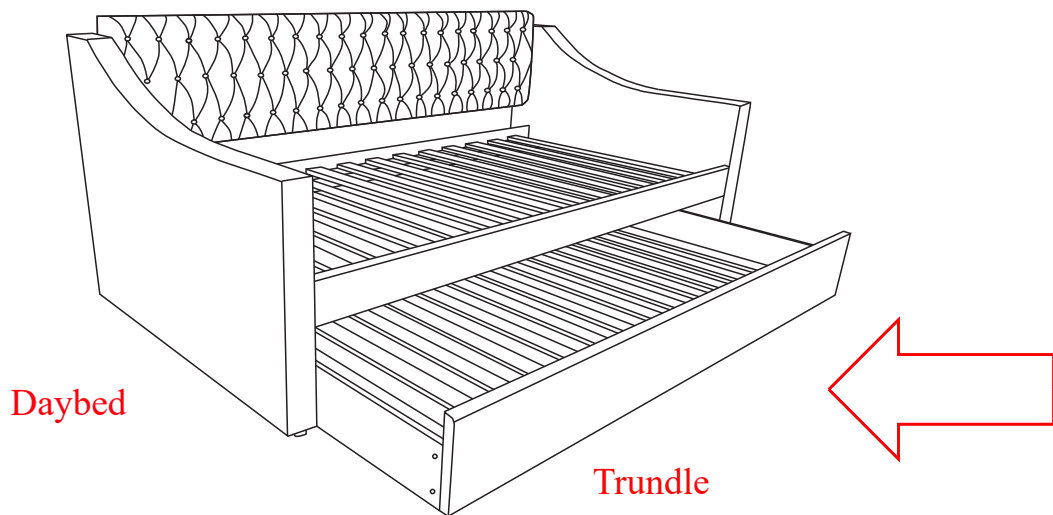
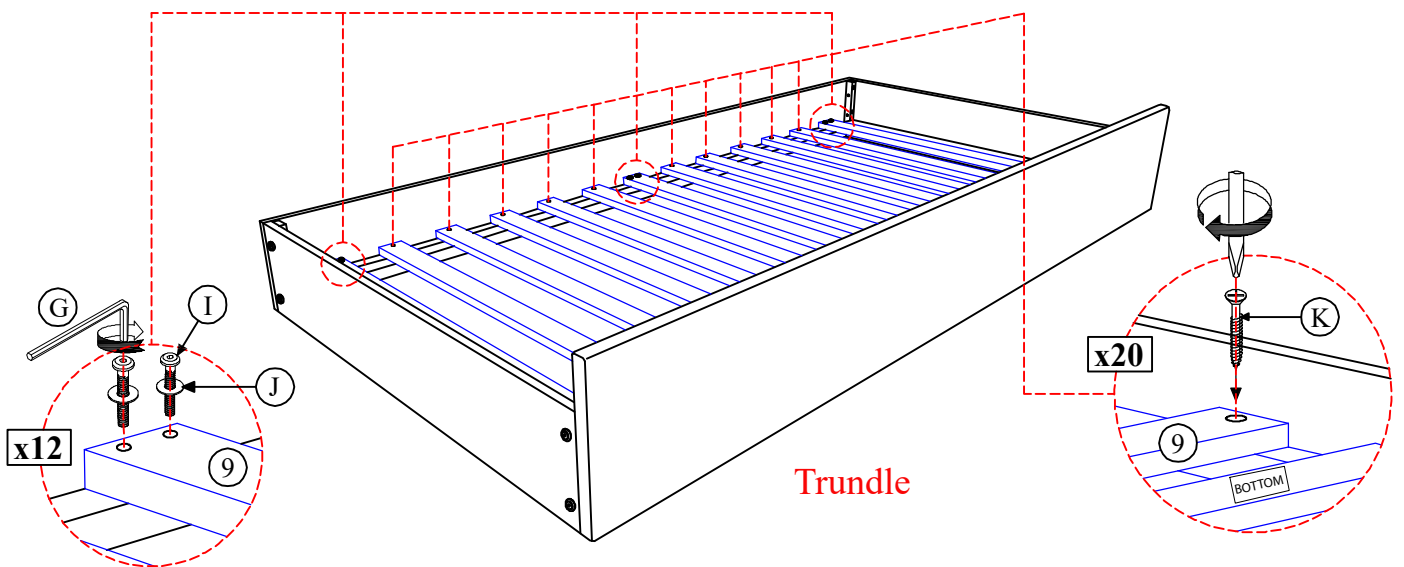
### STEP 6



**STEP 7**



**STEP 8**



**ASSEMBLY COMPLETED**