
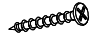

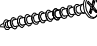





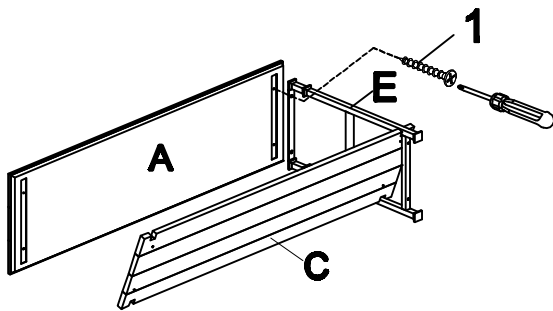


ASSEMBLY INSTRUCTIONS

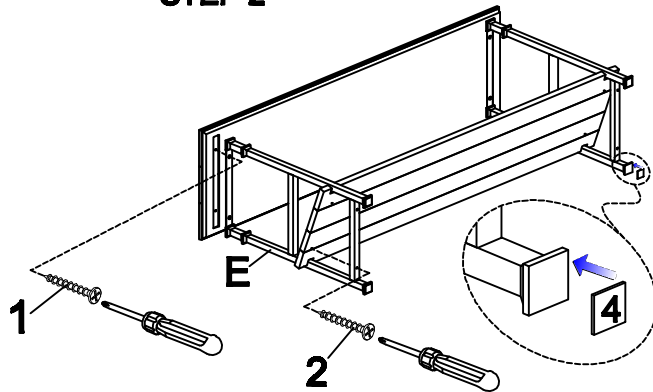
ITEM#:3228-05 TV STAND

PART LIST				HARDWARE LIST				
A		TOP PANEL	1PC	1		SCREW-SMALL	Ø4X3/4"	4PCS
B		MIDDLE SHELF	1PC	2		SCREW-BIG	Ø4X1-1/2"	4PCS
C		BOTTOM PANEL	1PC	3		BOLT	5/32X1/2"	5PCS
D		IRON BAR	2PCS	4		SPACER	40X40X3mm	4PCS
E		SIDE FRAME	2PCS					

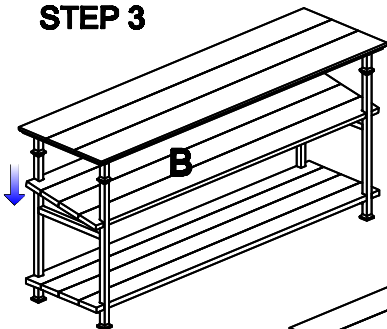
STEP 1



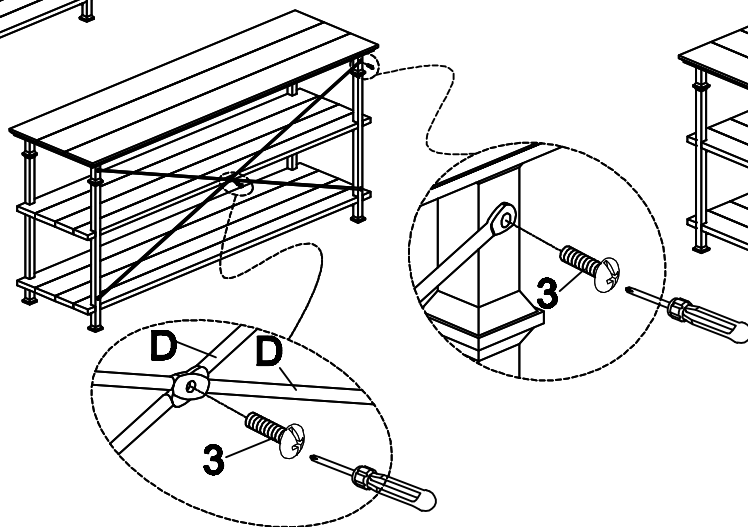
STEP 2



STEP 3



STEP 4



STEP 5

