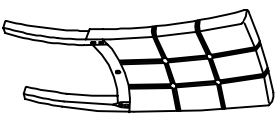


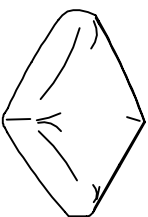
ASSEMBLY INSTRUCTION

2544S SIDE CHAIR

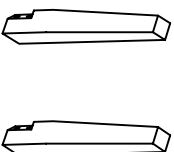
PART LIST:








Back 1pc



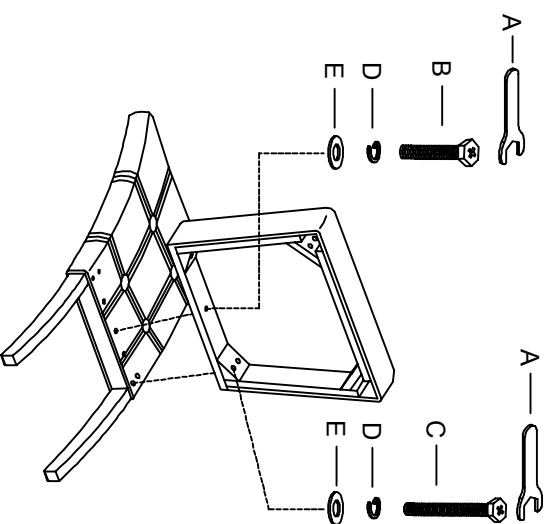
Seat 1pc



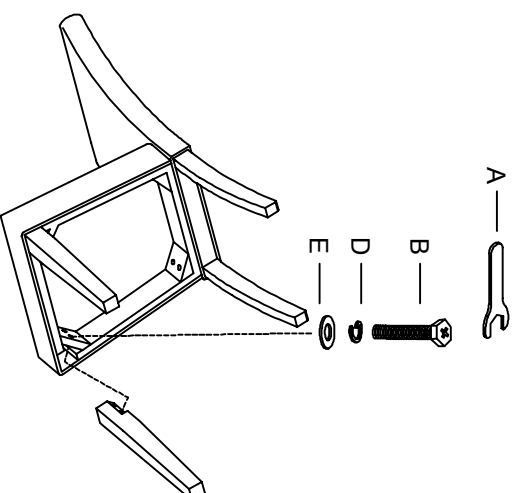
Front leg
2pcs

HARDWARE LIST			
A		L-ALLEN KEY	1 PC
B		Bolt	5 PCS
C		Bolt	4 PCS
D		Spring Washer	9 PCS
E		Flat Washer	9 PCS

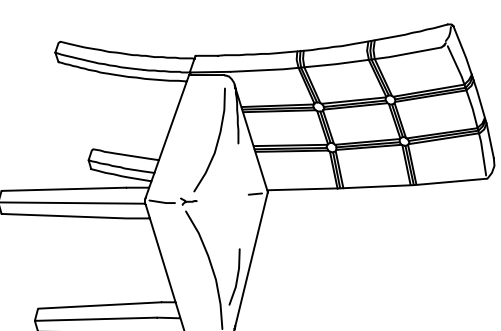
STEP 1



STEP 2



COMPLETED



(1) Align the seat to the chair back, insert the bolt and washer to pre-drilled holes and tighten it.

(2) Attach the leg to the seat, insert the bolt and washer then tighten it.