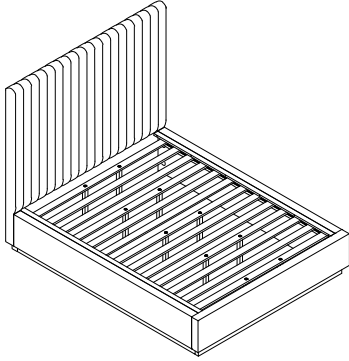


ASSEMBLING INSTRUCTIONS

ITEM NO.: 2320K-1 California/Eastern King Headboard
 2320K-3CK California King Footboard with Rails & Slats



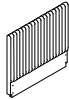
Thank you for purchasing this product. Please take time to read and follow the instructions below. Check that you have all parts and hardware before assembly. Parts apparently missing are often found in the packing materials. If you do not have all the parts listed, have your dealer contact us and they be sent to you immediately.







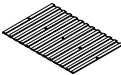

It is recommended to install protective pads under all legs and support to avoid damage or scratches when placing furniture on a wood floor or other hard surface, and to limit indentation and prevent discoloration if placing on carpet.

* DO NOT TIGHTEN BOLTS UNTIL COMPLETELY ASSEMBLED







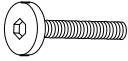

2320K-1 PARTS LISTS

NO.	SKETCH	DESCRIPTION	QTY
A		Headboard	1 PC

2320K-3CK PARTS LISTS

NO.	SKETCH	DESCRIPTION	QTY
B		RSF Side Rail	1 PC
C		LSF Side Rail	1 PC
D		Footboard	1 PC
E		Slat Support Leg	10 PCS
F		Slat Roll	1 ROLL / 13 PCS
G		Cap Rail	2 PCS

HARDWARE LISTS

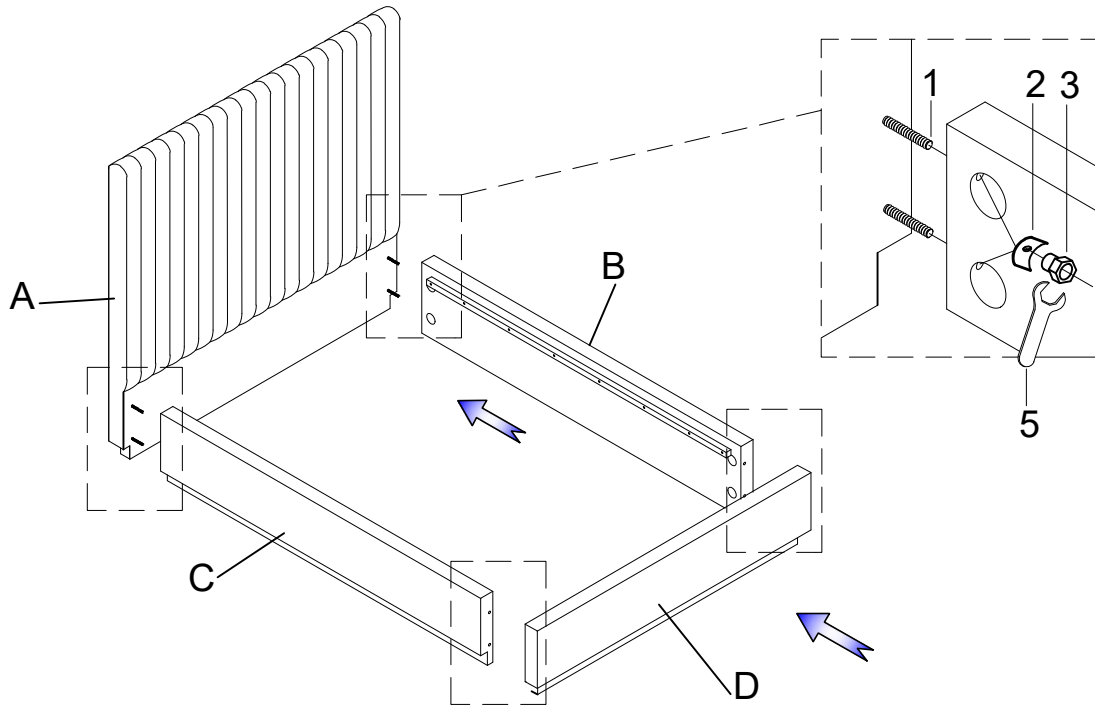
NO.		DESCRIPTION	SIZE -DIMENSION	
1		Full - Thread Bolt	Ø5/16" x 2-3/16"	8 PCS
2		Curve Washer	Ø5/16" x 1-3/16"	8 PCS
3		Hex Nut	Ø5/16"	8 PCS
4		Screw	#4 x 1-3/16"	26 PCS
5		Open Wrench		1 PC
6		Screwdriver	Not Provided	
7		Bolt	Ø1/4" x 2-3/16"	12 PCS
8		Allen Key	M4	1 PC

* ABOVE HARDWARE ARE PACKED IN 2320K-3CK FOR ASSEMBLY

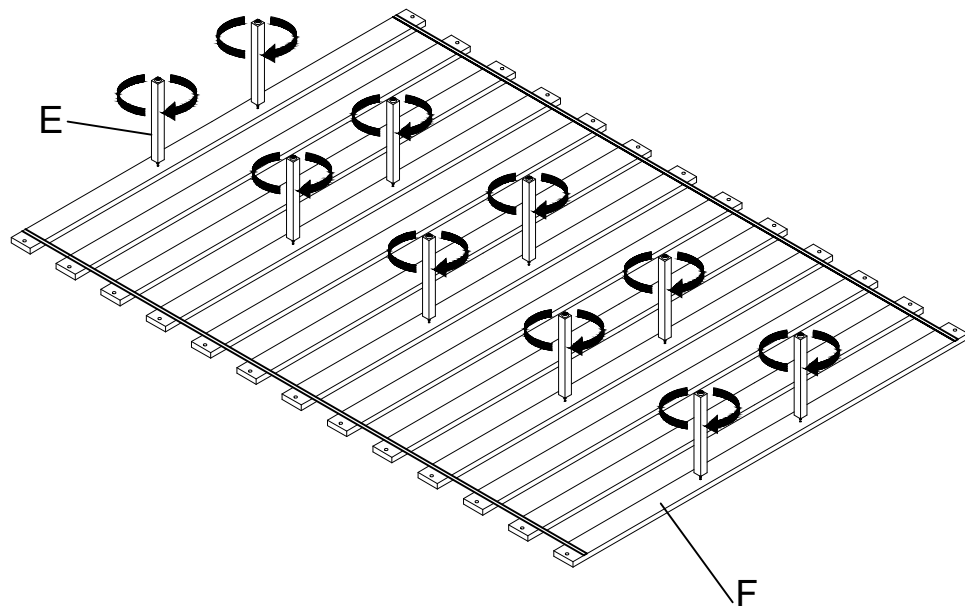
ASSEMBLING INSTRUCTIONS

ITEM NO.: 2320K-1 California/Eastern King Headboard
 2320K-3CK California King Footboard with Rails & Slats

STEP 1:



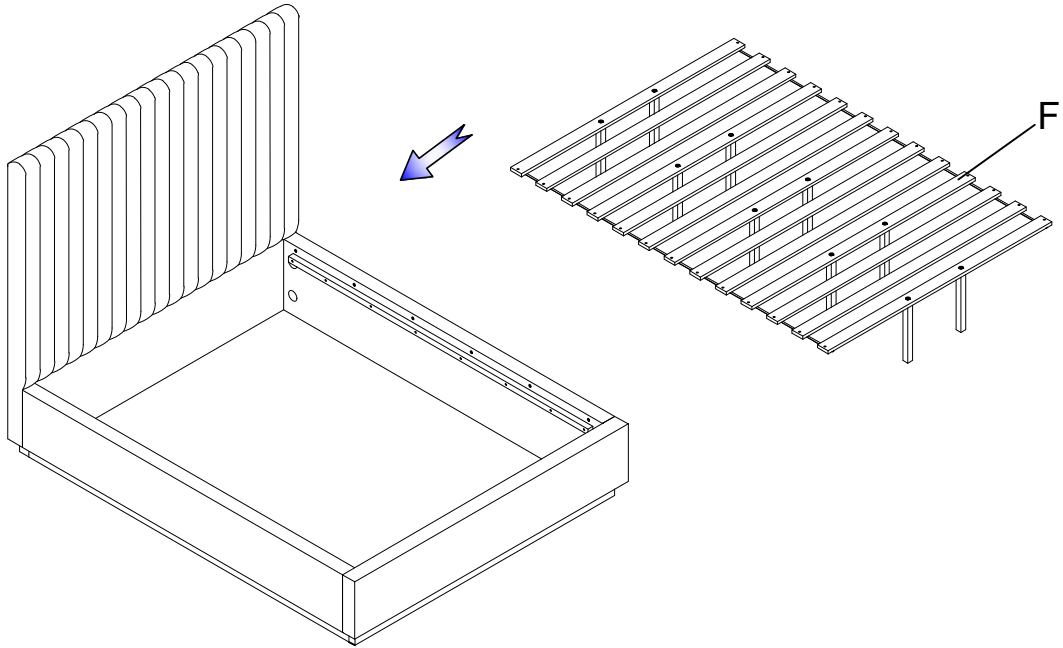
STEP 2:



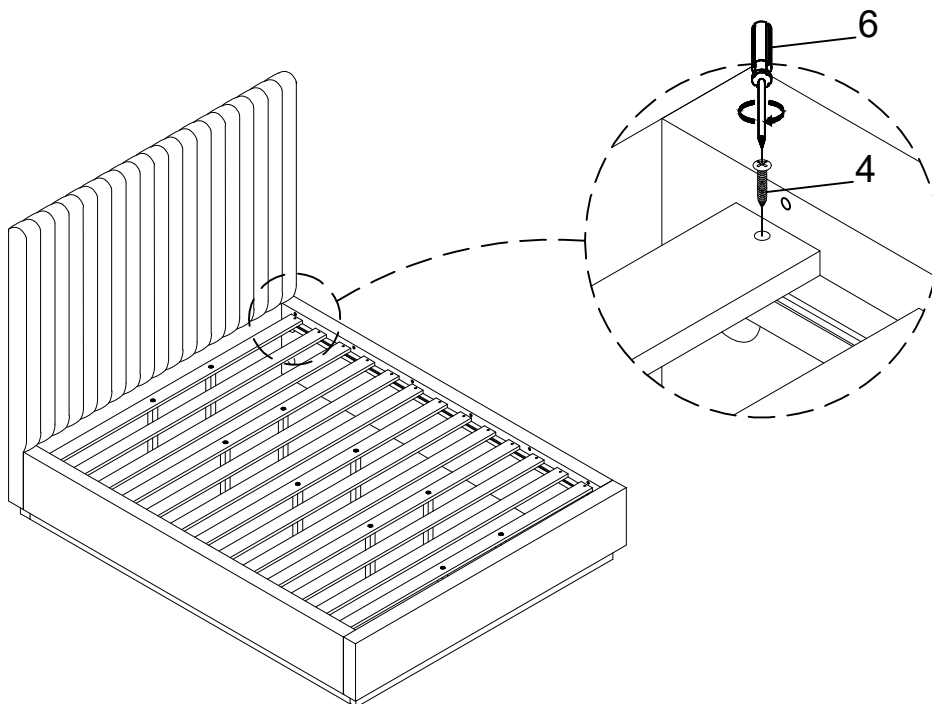
ASSEMBLING INSTRUCTIONS

ITEM NO.: 2320K-1 California/Eastern King Headboard
2320K-3CK California King Footboard with Rails & Slats

STEP 3:



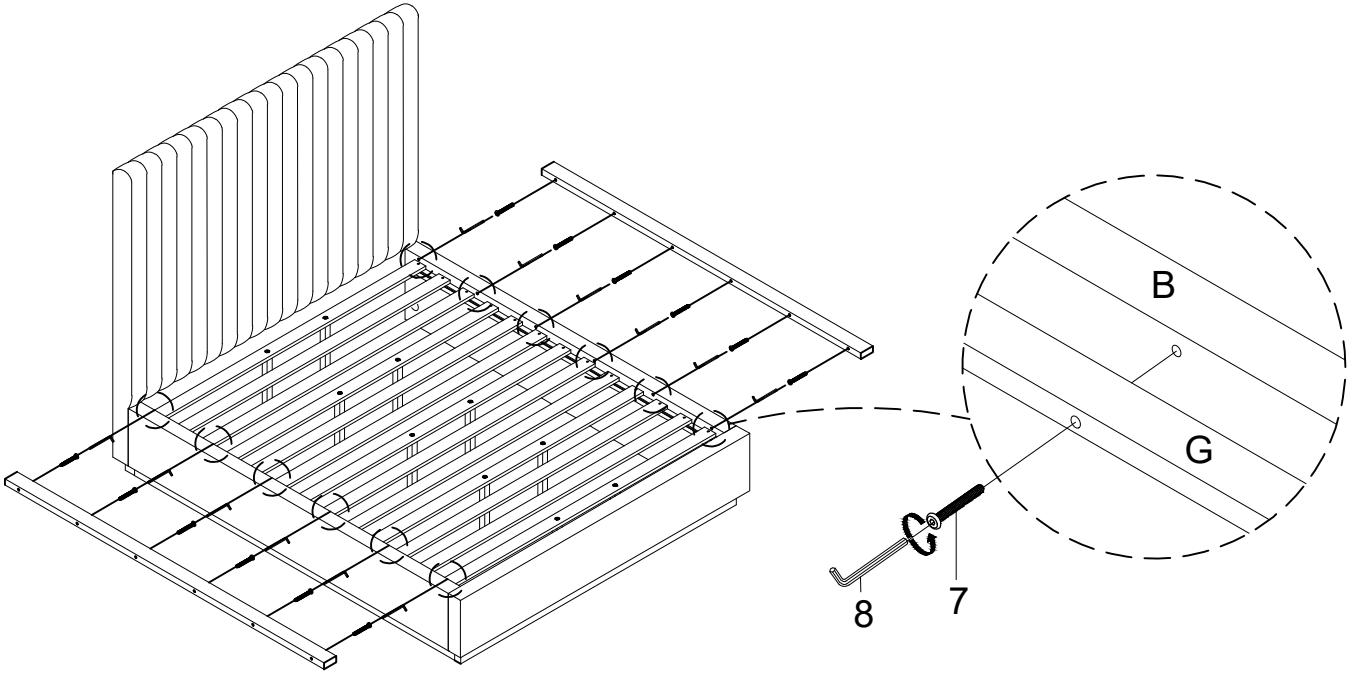
STEP 4:



ASSEMBLING INSTRUCTIONS

ITEM NO.: 2320K-1 California/Eastern King Headboard
2320K-3CK California King Footboard with Rails & Slats

STEP 5:



COMPLETED

