



Assembly Instruction

UPHOLSTERED QUEEN BED

ITEM NO : 1639-1 : QUEEN HEADBOARD

1639-3 : QUEEN FOOTBOARD W/ SLATS & RAILS

NOTE: Do not use power tools for assembly. Power tools increase the risk of over tightening which leads to splitting or cracking the wood.

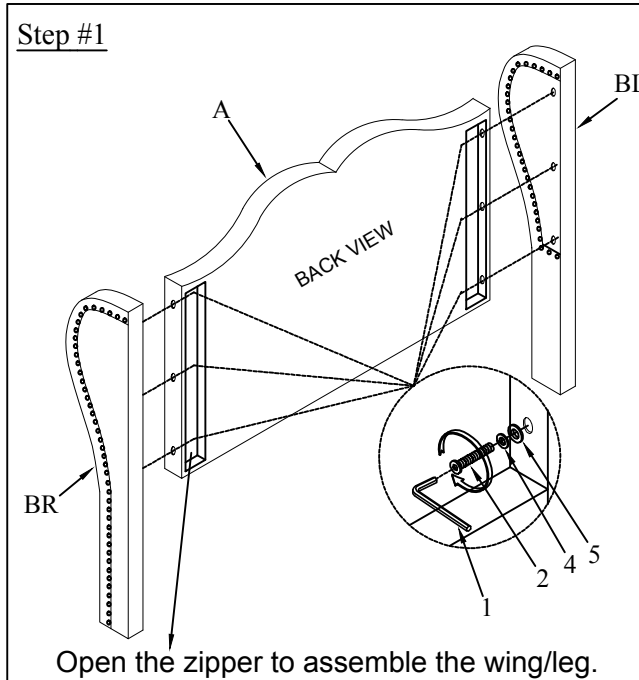
HARDWARE LIST

NO	DESCRIPTION	DRAWING	QTY
HARDWARE (PACK IN -1)			
1	ALLEN KEY		1 PC
2	BOLT Ø5/16" x 45mm		6 PCS
4	SPRING WASHER Ø5/16"		6 PCS
5	FLAT WASHER Ø5/16"		6 PCS
HARDWARE (PACK IN -3)			
1	ALLEN KEY		1 PC
3	BOLT Ø5/16" x 65mm		2 PCS
4	SPRING WASHER Ø5/16"		2 PCS
5	FLAT WASHER Ø5/16"		2 PCS
6	FULL-THREAD BOLT Ø5/16" x 80mm		8 PCS
7	CURVE WASHER Ø5/16"		8 PCS
8	HEX NUT Ø5/16" x 18mm		8 PCS
9	OPEN WRENCH Ø1/2" x 90mm		1 PC
10	SCREW #4 x 30mm		8 PCS

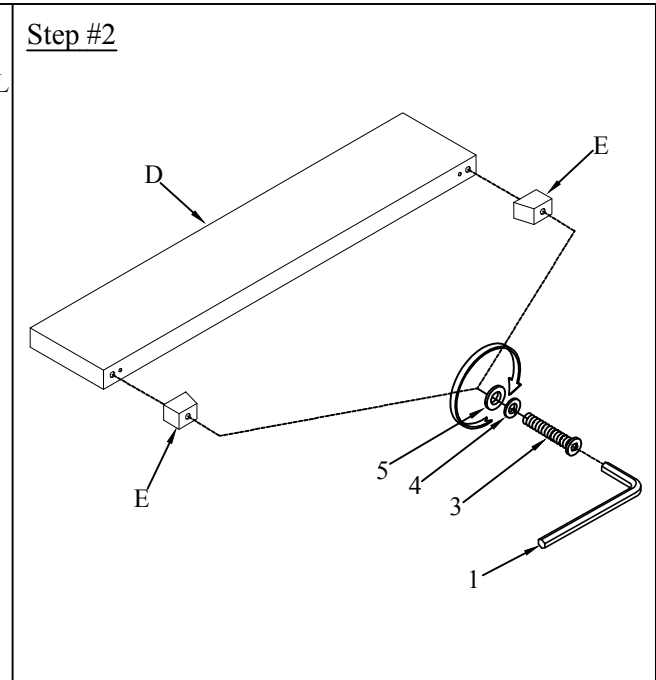
COMPONENT LIST

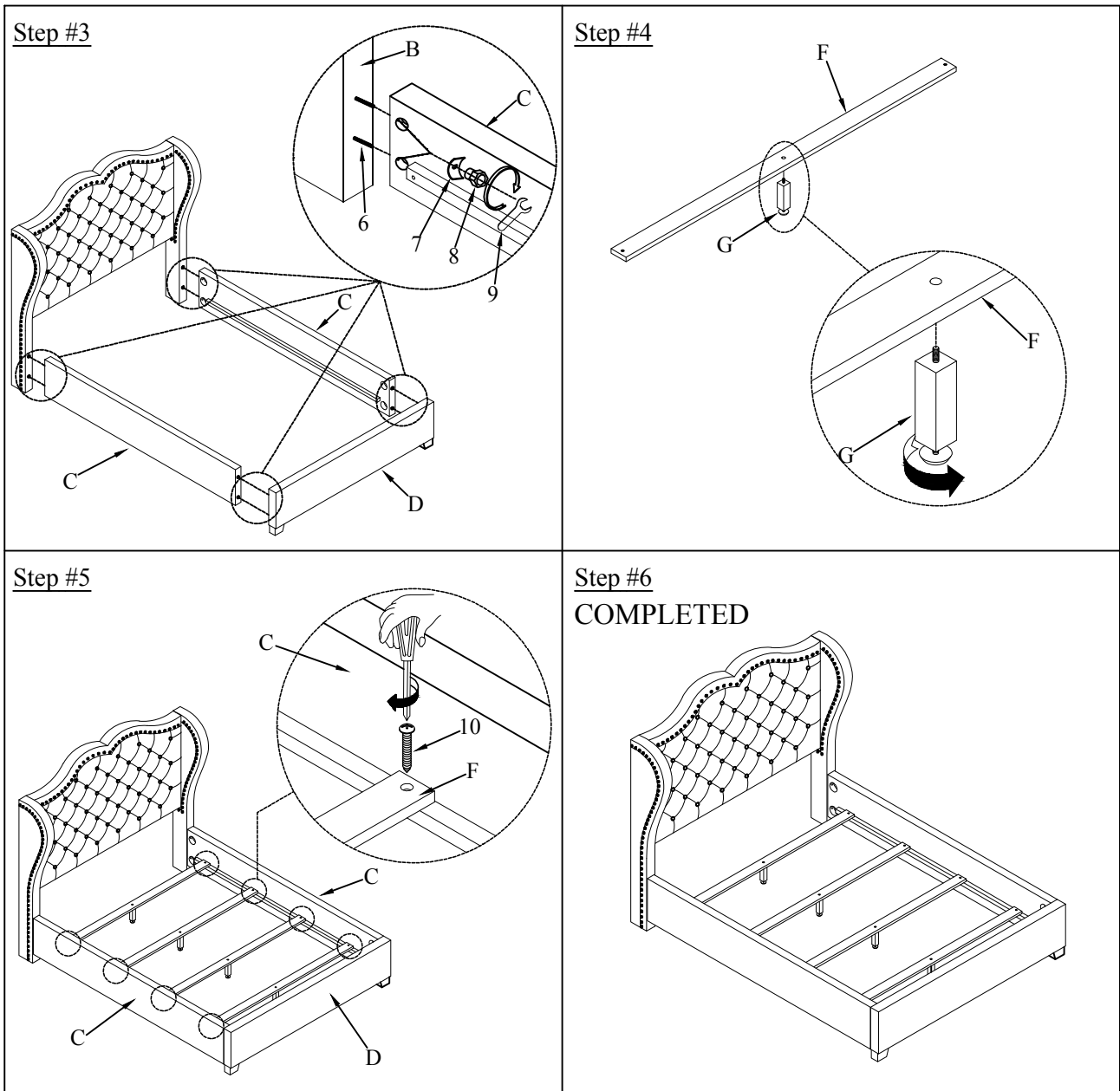
NO	DESCRIPTION	DRAWING	QTY
A	HEADBOARD		1 PC
BR	RSF HEADBOARD SIDE PANEL		1 PC
BL	LSF HEADBOARD SIDE PANEL		1 PC
C	SIDE RAIL		2 PCS
D	FOOTBOARD		1 PC
E	LEG		2 PCS
F	SLAT		4 PCS
G	SUPPORT LEG		4 PCS

Step #1



Step #2





CARE INSTRUCTION FOR POLYESTER:

In order to maintain the original appearance of your polyester furniture, please follow below simple care procedure:

- Avoid exposing furniture directly to sunlight or heating and air conditioning outlets. Exposure to sunlight or heating and air conditioning outlets will fade/ damage polyester.
- Wipe gently with a damp soft cloth to remove dust, dirt and any grime build up.



It is recommended to install protective pads under all legs and supports to avoid damage or scratches when placing furniture on a wood floor or other hard surface, and to limit indentation and prevent discoloration if placing on carpet.



Il est recommandé de placer des coussins protecteurs sous tous les pieds et toutes les bases des meubles pour éviter d'endommager ou d'égratigner les planchers en bois ou autres surfaces dures, et pour limiter l'empreinte et empêcher la décoloration quand les meubles reposent sur la moquette.