



ASSEMBLY INSTRUCTION

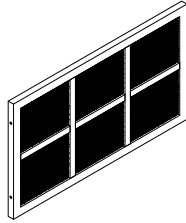
1635DZT-1/1635WHT-1 TWIN PLATFORM BED

HOME ELEGANCE

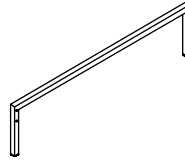
PART LIST:



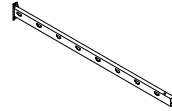
A: HEADBOARD LEGS
2PCS



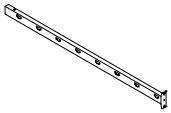
B: HEADBOARD
1PC



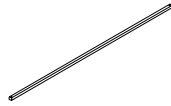
C: FOOTBOARD
1PC



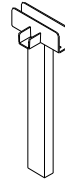
D: SIDE RAIL
2PCS



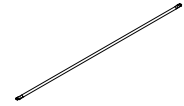
E: SIDE RAIL
2PCS



F: CENTER CROSS BAR
1PC



G: CENTER SLAT
SUPPORT LEG
2PCS



H: SLAT
16PCS



I: SLAT CONNECTOR
32PCS

HARDWARE SET:



1: Bolt
1/4*50mm
X 4pcs



2: Bolt
5/16*19mm
X 8pcs



3: Bolt
5/16*48mm
X 4pcs



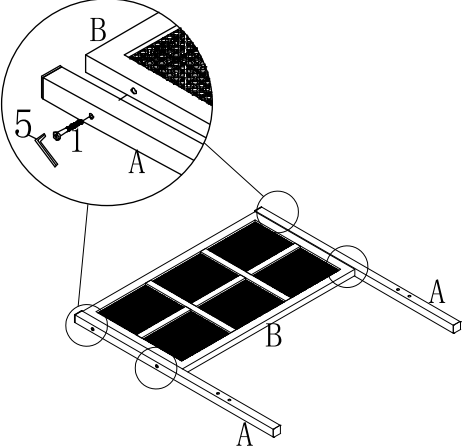
4: Bolt
1/4*35mm
X 2pcs



5: Allen Key
X 1pc

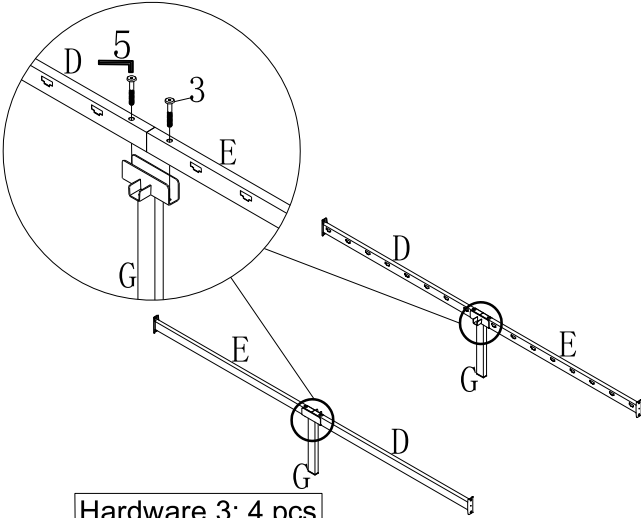
Note: Please do not tighten all bolts until the bed is assembled completely.

STEP 1



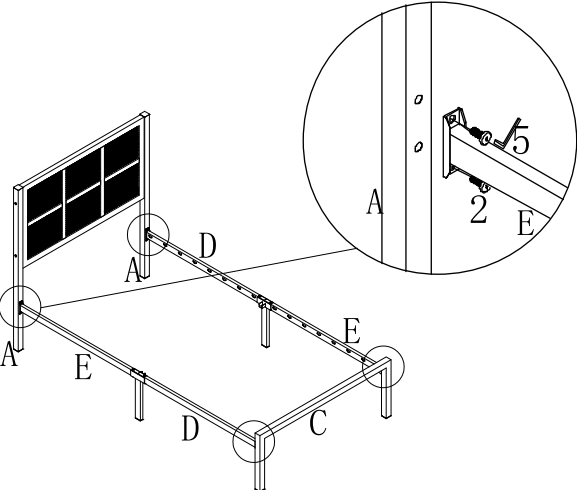
Hardware 1: 2 pcs

STEP 2



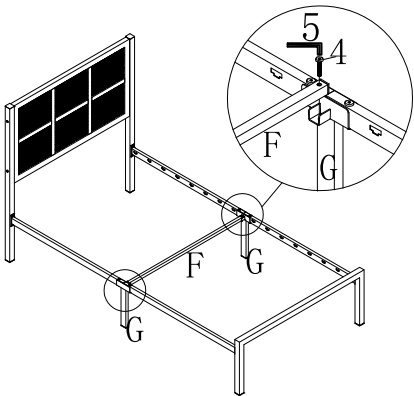
Hardware 3: 4 pcs

STEP 3



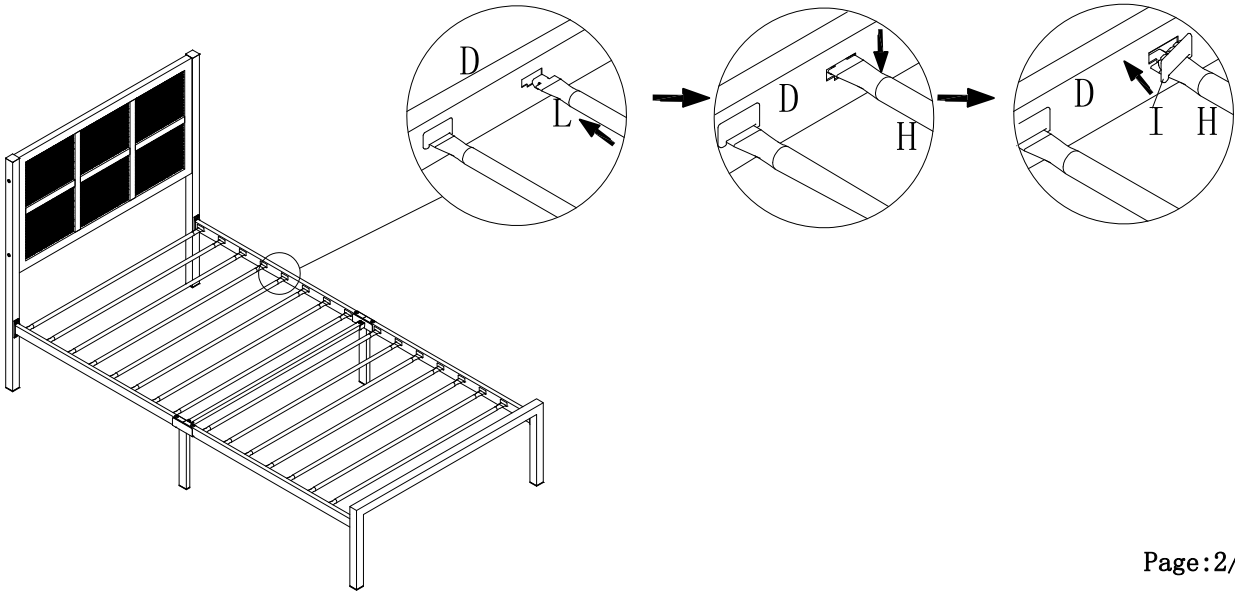
Hardware 2: 8 pcs

STEP 4



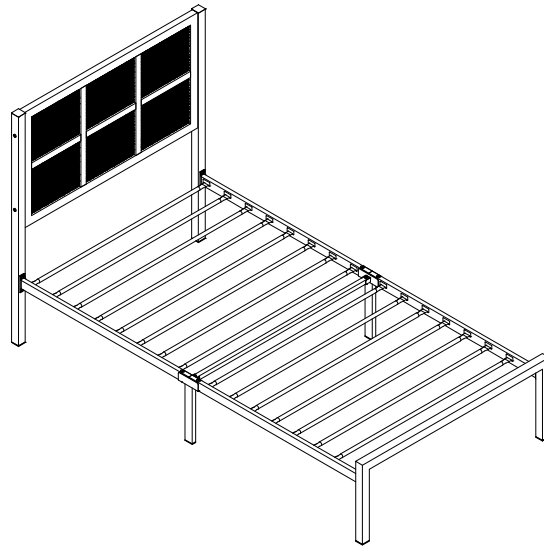
Hardware 4: 2 pcs

STEP 5



Note: Please do not tighten all bolts until the bed is assembled completely.

COMPLETED



For items use on wooden floor, hard surfaces or carpets, it is recommended to Install protective pads under all legs and supports to avoid/prevent from damages/scratches and discoloration.