



# ASSEMBLY INSTRUCTION

Item No.:

1430K-1 (1/3) California/Eastern King Headboard

1430K-2 (2/3) California/Eastern King Footboard & Slats

1430K-3CK (3/3) California King Side Rails With Crown

Thank you for purchasing this product. Please take time to read and follow the instructions below. Check that you have all parts and hardware before assembly. Parts apparently missing are often found in the packing materials. If you do not have all the parts listed, have your dealer contact us and they will be sent to you immediately.

**▲** It is recommended to install protective pads under all legs and supports to avoid damage or scratches when placing furniture on a wood floor or other hard surface, and to limit indentation and prevent discoloration if placing on carpet.

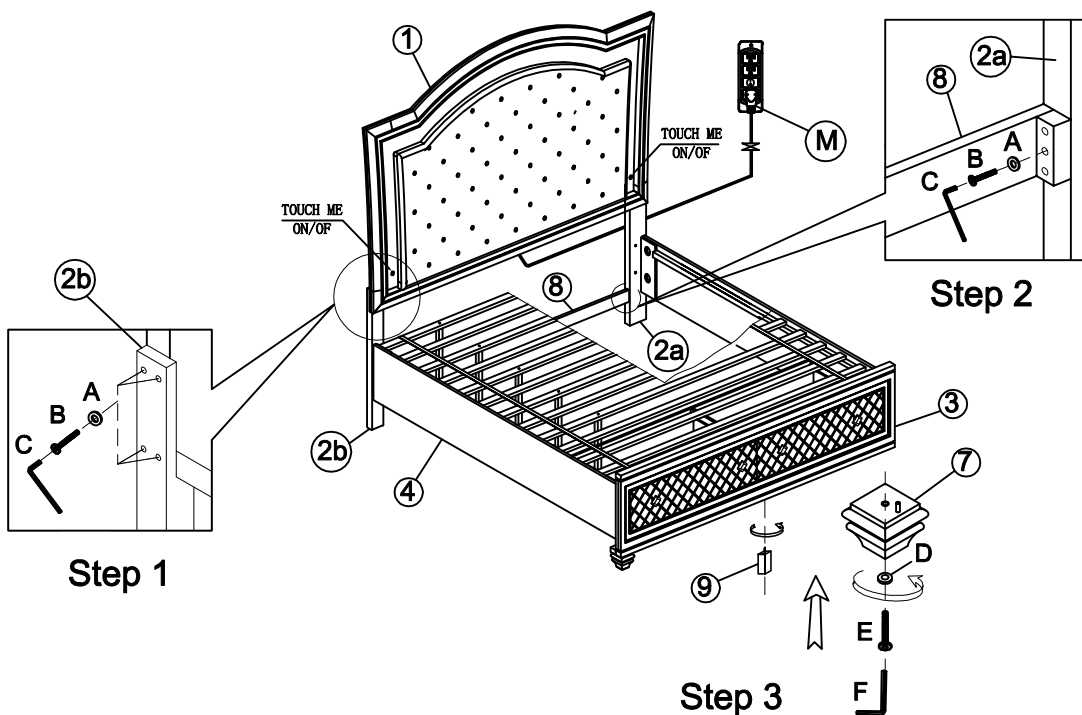
Part List		
NO.	DESCRIPTION	Q'TY
1	Headboard	1PC
2a	Headboard Posts RSF	1PC
2b	Headboard Posts LSF	1PC
3	Footboard	1PC
4	Rails	2PCS
5	Slat Roll	13PCS
6	Slat support Leg	10PCS
7	Bun foot	2PCS
8	Headboard support bar	1PC
9	Footboard support leg	1PC

Hardware List In-K-1			
NO.	DESCRIPTION	FIGURE	Q'TY
A	Flat washer 5/16" Dia	⊙	10PCS
B	Bolt 5/16" x 45L(mm)		10PCS
C	Allen Key		1PC
M	Plug with wire		1PC

Hardware List In-K-2			
NO.	DESCRIPTION	FIGURE	Q'TY
D	Flat washer 5/16" Dia	⊙	2PCS
E	Bolt 5/16" x 2"L		2PCS
F	Allen Key		1PC
G	Bolt 1/4" x 1.25"L		10PCS
H	Screw Ø8*Ø4*1.25"L		26PCS

Hardware List In-3CK			
NO.	DESCRIPTION	FIGURE	Q'TY
I	Bolt 5/16" x 3"L		8PCS
J	Curved washer		8PCS
K	Bolt		8PCS
L	Spanner Wrench		1PCS

Tools Required: Please use a screwdriver for the screwdriver is not included





# ASSEMBLY INSTRUCTION

Item No.:

1430K-1 (1/3) California/Eastern King Headboard

1430K-2 (2/3) California/Eastern King Footboard & Slats

1430K-3CK (3/3) California King Side Rails With Crown

Hardware List In-K-2

NO.	DESCRIPTION	FIGURE	Q'TY
F	Allen Key		1PC
G	Bolt 1/4" x 1.25"L		10PCS
H	Screw Ø8*Ø4*1.25"L		26PCS

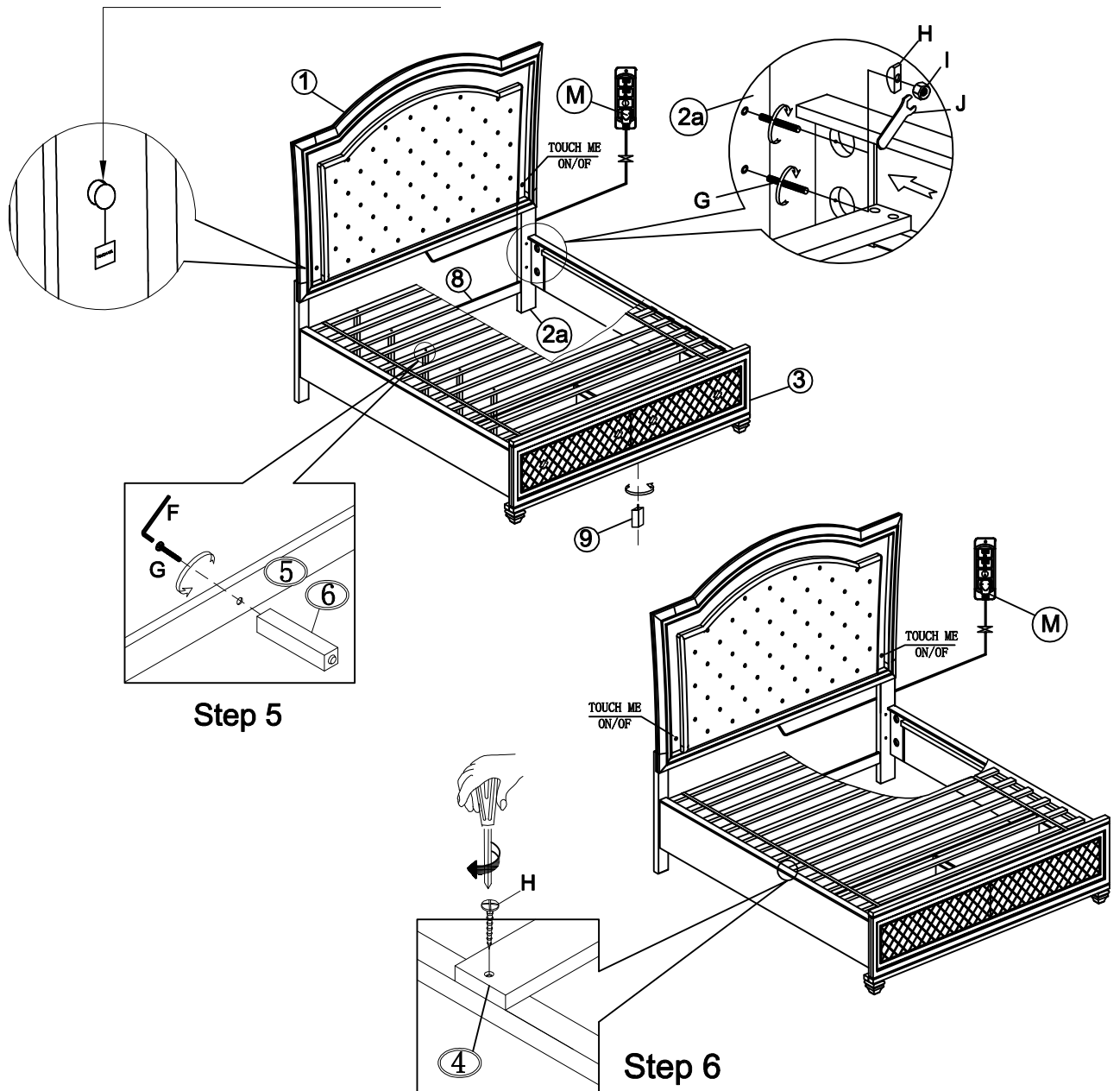
Hardware List In-3

NO.	DESCRIPTION	FIGURE	Q'TY
I	Bolt $\frac{5}{16}$ " x 3"L		8PCS
J	Curved washer		8PCS
K	Bolt		8PCS
L	Spanner Wrench		1PCS

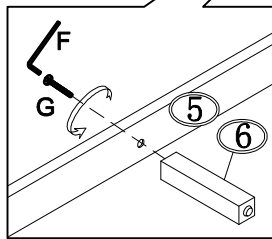
Tools Required: Please use a screwdriver for the screwdriver is not included

"the first touch is on , second touch is brighter , third touch is brighter and brighter , fourth touch is off"

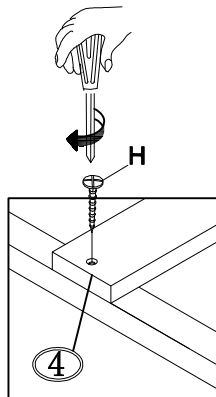
## Step 4



## Step 5



## Step 6



### NOTE :

▲ DO NOT TIGHTEN BOLTS UNTIL COMPLETELY ASSEMBLED