



# ASSEMBLING INSTRUCTIONS

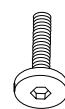
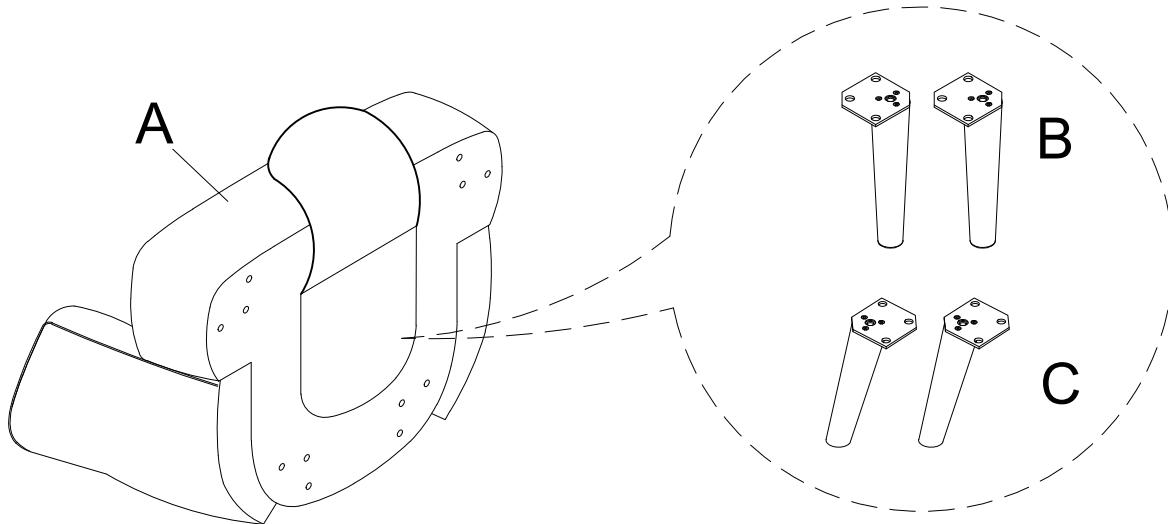
ITEM NO: 1053DG-1/ 1053BU-1/ 1053GY-1

Accent Chair

**!** Legs and hardware are stored in the bottom of the seat, please take them out for assembly.  
Note: Do not use power tools for assembly. Power tools increase the risk of over tightening which lead to splitting or cracking the wood.

PART	DRAWING	DESCRIPTION	QTY	PART	DRAWING	DESCRIPTION	QTY
A		Seat	1 PC	1		Bolt Ø5/16"×1"	12 PCS
B		Front Wooden Leg 3-1/4"×3-1/4"×8-3/4"	2 PCS	2		Spring Washer Ø5/16"	12 PCS
C		Rear Wooden Leg 3-1/4"×3-1/4"×8-1/3"	2 PCS	3		Flat Washer Ø5/16"×3/4"	12 PCS
				4		Allen Key M4	1 PC

## STEP 1:



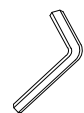
x12



x12



x12



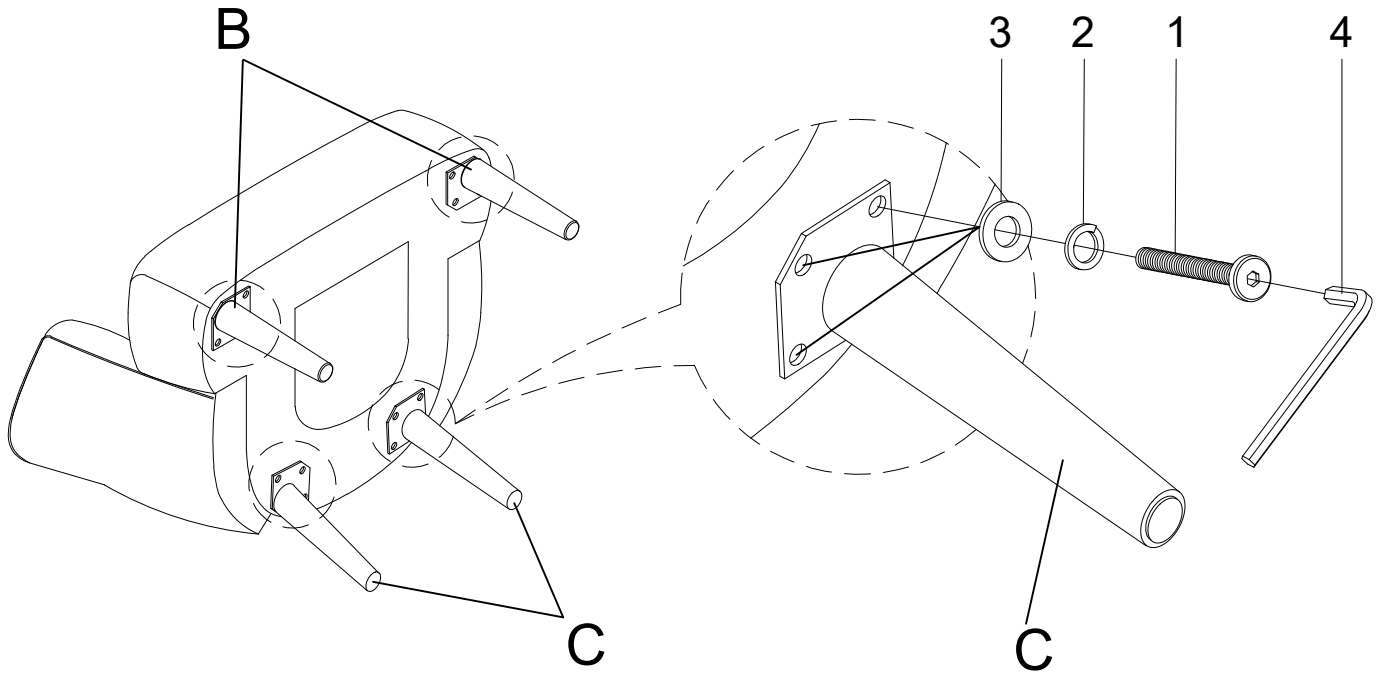
x1

# ASSEMBLING INSTRUCTIONS

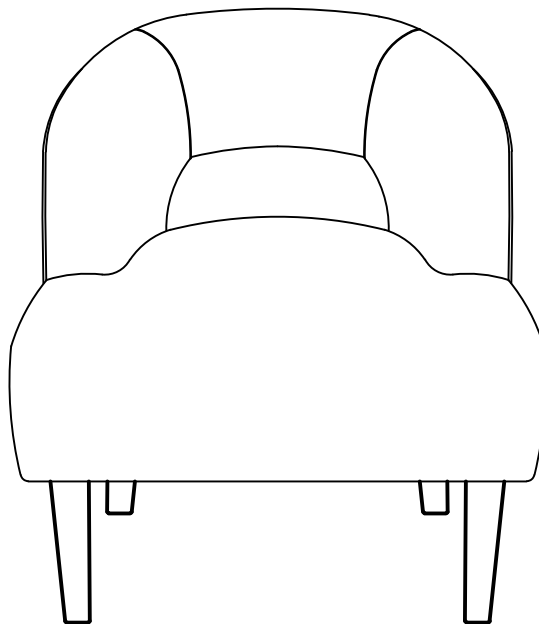
ITEM NO: 1053DG-1/ 1053BU-1/ 1051GY-1

Accent Chair

## STEP 2:




## COMPLETED



### Care Instruction for Velvet Furniture:

In order to maintain the original appearance of your velvet furniture, please follow below simple care procedures:

- Avoid exposing furniture directly to sunlight or heating and air conditioning outlets.
- Sunlight and or exposure to heating and airconditioning outlets will fade/damage velvet.
- Vacuum or wipe with a soft cloth to remove dust.
- Hardware may loosen over time. Periodically check to make sure all connection are tight, Re-tighten if necessary

 For item use on wooden floor, hard surfaces or carpets, it is recommended to install protective pads under all legs and supports to avoid/prevent from damages/scratches and discoloration.