



**H O M E L E G A N C E**

## Assembly Instruction

### Accent Chair

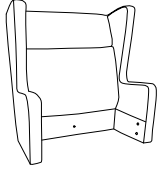
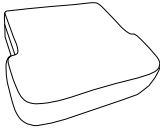






ITEM NO.: 1028GY/NBE-1



**Legs and hardware are stored in the chair seat, please take out for assembly.**

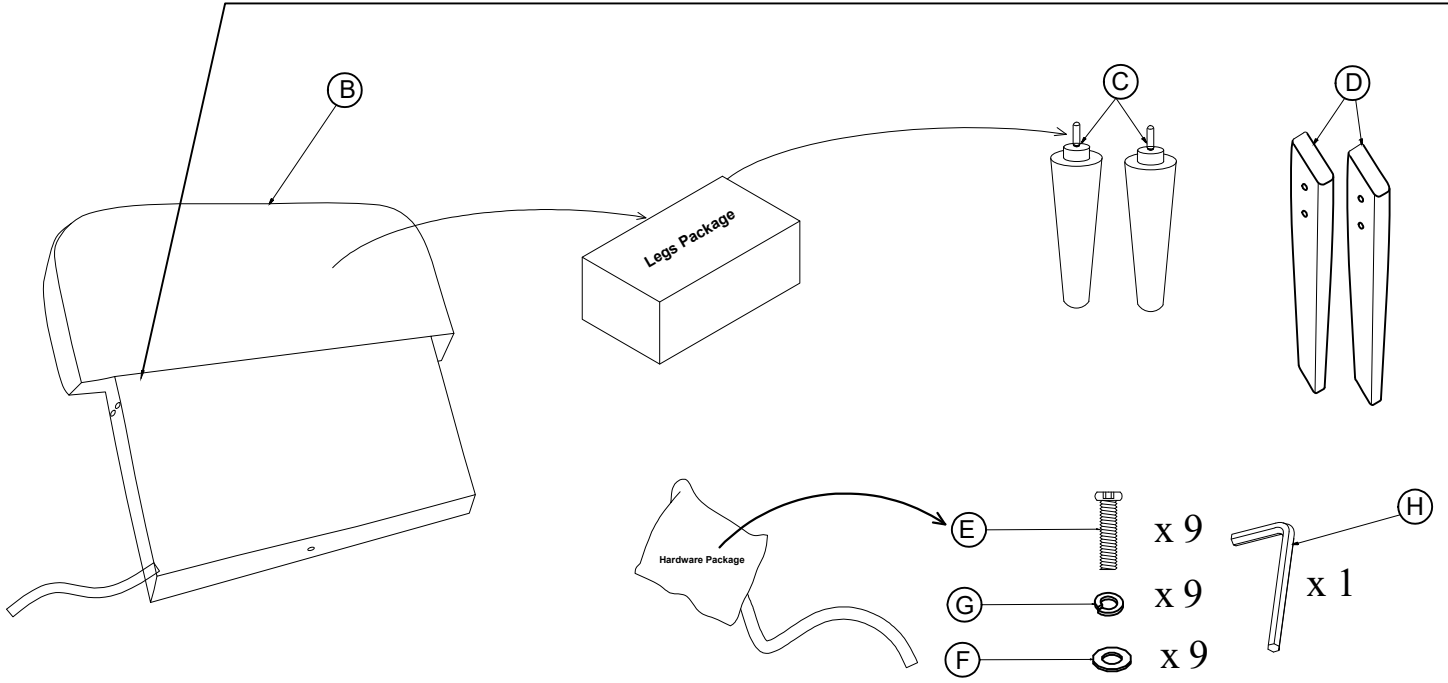
**Note: Do not use power tools for assembly. Power tools increase the risk of over tightening which lead to splitting or cracking the wood. Do not tighten bolts until completely assembled.**

### Component list

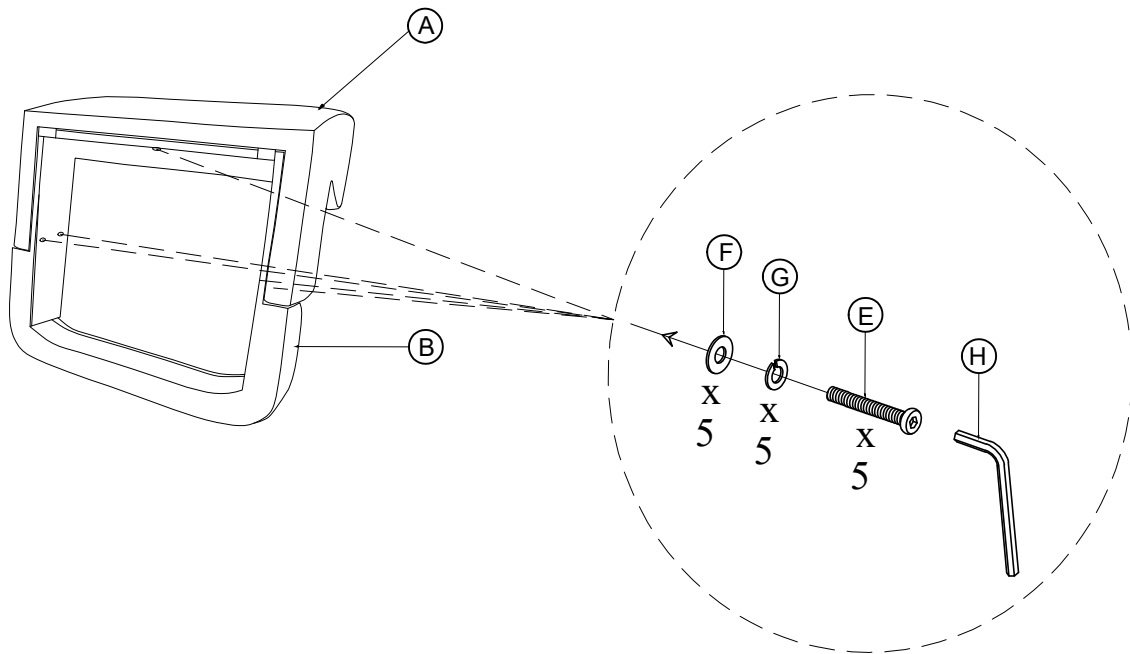
No	Drawing	Qty	Description
A		1	Chair back
B		1	Chair Seat
C		2	Front Wooden Leg 9.76"*2"*2"
D		2	Rear Wooden Leg 15.95"*2.56"*1.26"
E		9	Bolts 5/16"*70mm
F		9	Flat Washers Ø22*Ø8*1.5mm
G		9	Lock Washers 5/16"*13*1.5mm
H		1	Allen Wrench M4*70*70mm

# Step #1

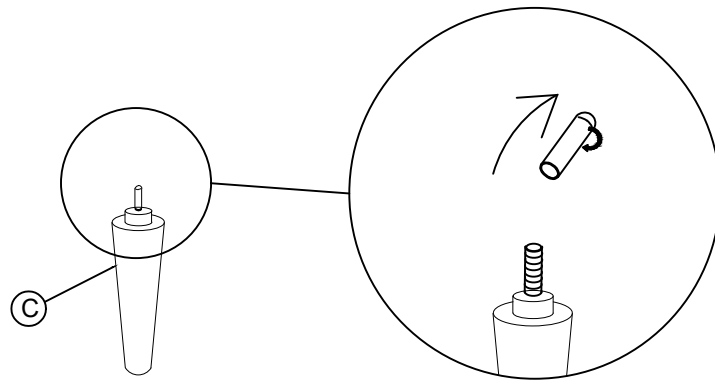
LEGS AND HARDWARE ARE STORED IN THE CHAIR SEAT.



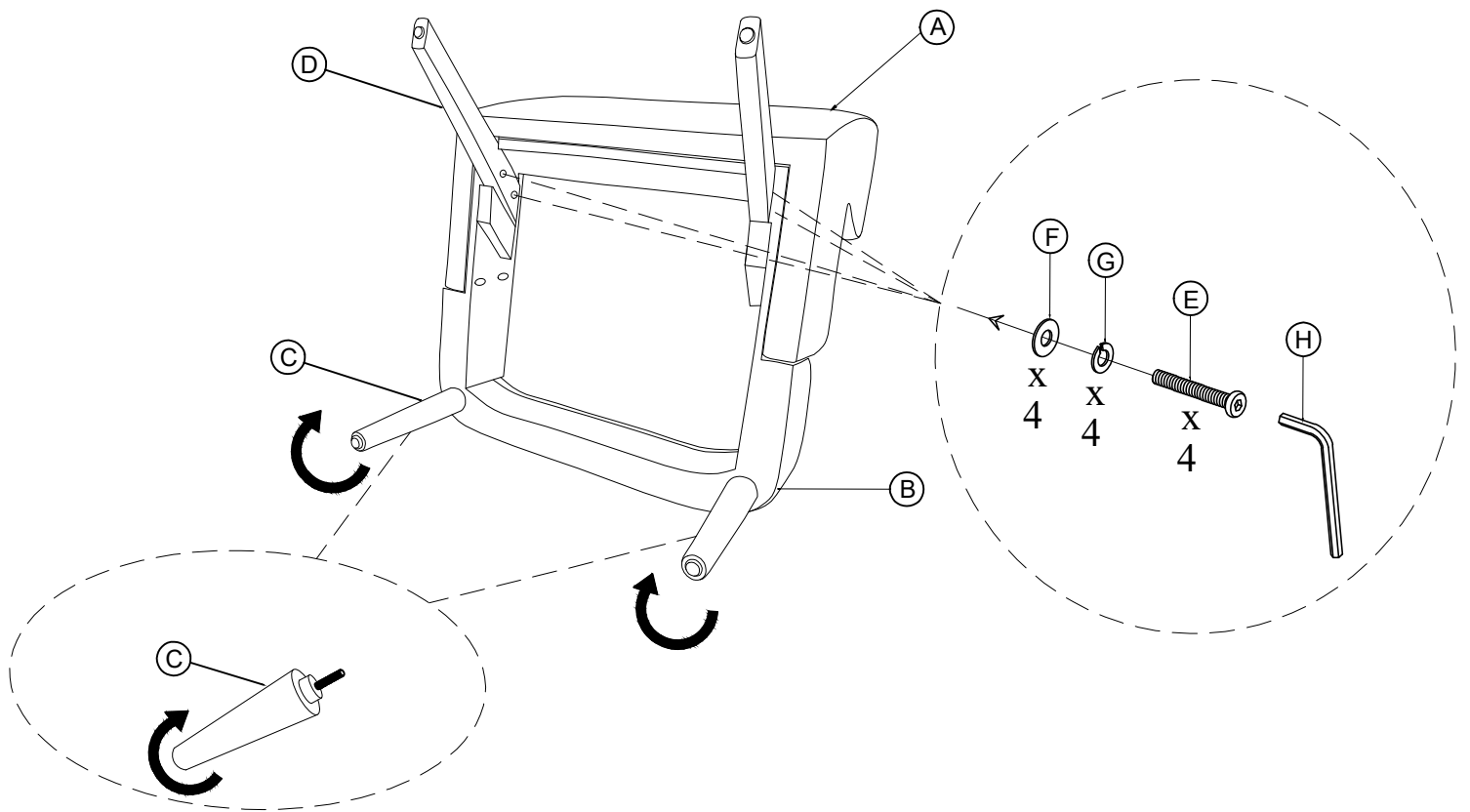
# Step #2



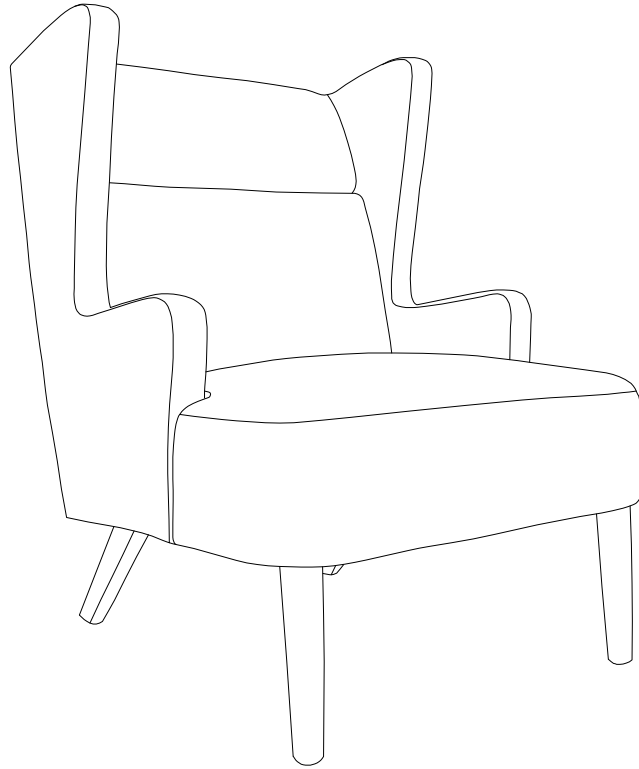
### Step #3



### Step #4



## Step #5



## Care Instruction for Chenille Furniture:

In order to maintain the original appearance of your chenille Furniture, please follow below simple care procedures:

- **Avoid exposing furniture directly to sunlight or heating and air conditioning outlets. Sunlight and or exposure to heating and air conditioning outlets will fade/damage chenille.**
- **Vacuum or wipe with a soft cloth to remove dust.**
- **Hardware may loosen over time. Periodically check to make sure all connection are tight, Re-tighten if necessary**



**For items use on wooden floor, hard surfaces or carpets, it is recommended to Install protective pads under all legs and supports to avoid/prevent from damages/scratches and discoloration.**